

|                          | OEM Collet™ | CenTor Plate | CenTor Stud | Bolt Circle |
|--------------------------|-------------|--------------|-------------|-------------|
| <b>ACURA</b>             |             |              |             |             |
| CL 2.2 / 3.0 ('96-'99)   | 64mm        | 1            | C           | 4x4.5"      |
| CL 3.2 ('01-'03)         | 64mm        | 2            | C           | 5x4.5"      |
| CSX ('06-'08)            | 64mm        | 2            | C           | 5x4.5"      |
| EL (To-'00)              | 56mm        | 1            | C           | 4x100       |
| Integra ('86-'01)        | 56mm        | 1            | C           | 4x100       |
| Integra Type-R ('97-'01) | 64mm        | 2            | C           | 5x4.5"      |
| Legend (To-'91)          | 64mm        | 1            | C           | 4x4.5"      |
| Legend ('92-'95)         | 64mm        | 2            | C           | 5x4.5"      |
| MDX ('01-'06)            | 64mm        | 2            | C           | 5x4.5"      |
| MDX ('07-On)             | 64mm        | 2            | C           | 5x120       |
| NSX Front Wheel          | 70mm        | 2            | C           | 5x4.5"      |
| NSX Rear Wheel           | 64mm        | 2            | C           | 5x4.5"      |
| RDX ('07-On)             | 64mm        | 2            | C           | 5x4.5"      |
| RL ('96-'04)             | 64mm        | 2            | C           | 5x4.5"      |
| RL ('05-On)              | 64mm        | 2            | C           | 5x120       |
| RSX ('02-'06)            | 64mm        | 2            | C           | 5x4.5"      |
| SLX ('96-'99)            | 100mm       | 4            | A           | 6x5.5"      |
| TL 2.5 ('95-'98)         | 64mm        | 1            | C           | 4x4.5"      |
| TL 3.2 ('96-'08)         | 64mm        | 2            | C           | 5x4.5"      |
| TL ('09-On)              | 64mm        | 2            | C           | 5x120       |
| TSX ('04-On)             | 64mm        | 2            | C           | 5x4.5"      |
| Vigor ('91-'92)          | 64mm        | 1            | C           | 4x4.5"      |
| Vigor ('93-'94)          | 64mm        | 2            | C           | 5x4.5"      |
| ZDX ('10-On)             | 64mm        | 2            | C           | 5x120       |
| <b>AMERICAN MOTORS</b>   |             |              |             |             |
| All Passenger Cars       | Cone        | 2            | A           | 5x4.5"      |
| <b>ASTON MARTIN</b>      |             |              |             |             |
| DB7 ('00-'04)            | 74mm        | 3            | A           | 5x4.75"     |
| DB9 ('04-On)             |             | 2            | A           | 5x4.5"      |
| Lagonda                  | Cone        | 3            | A           | 5x4.75"     |
| Vanquish ('02-'06)       |             | 3            | A           | 5x108       |
| Vantage ('06-On)         |             | 2            | A           | 5x4.5"      |
| Virage                   | Cone        | 3            | A           | 5x4.75"     |

|                             | OEM Collet™ | CenTor Plate | CenTor Stud | Bolt Circle |
|-----------------------------|-------------|--------------|-------------|-------------|
| <b>AUDI</b>                 |             |              |             |             |
| 80 ('88-'92)                | 57mm        | 1            | C           | 4x4.25"     |
| 90 ('88-'95)                | 57mm        | 1            | C           | 4x4.25"     |
| 100 ('89-'91)               | 57mm        | 1            | C           | 4x4.25"     |
| 100 ('92-'94)               | 57mm        | 3            | C           | 5x112       |
| 200 ('89-'91)               | 57mm        | 3            | C           | 5x112       |
| 4000 ('80-'87)              | 57mm        | 1            | C           | 4x100       |
| 4000 CS ('85-'87)           | 57mm        | 1            | C           | 4x4.25"     |
| 4000 Quattro ('84-'87)      | 57mm        | 1            | C           | 4x4.25"     |
| 5000 ('79-'88)              | 57mm        | 1            | C           | 4x4.25"     |
| 5000 Turbo ('80-'88)        | 57mm        | 3            | C           | 5x112       |
| A3 ('06-On)                 | 57mm        | 2            | C           | 5x100       |
| A3 V6 ('06-On)              | 57mm        | 3            | C           | 5x112       |
| A4 ('97-'08)                | 57mm        | 3            | C           | 5x112       |
| A4 ('09-On)                 | 66.5mm      | 3            | C           | 5x112       |
| A5 ('08-On)                 | 66.5mm      | 3            | C           | 5x112       |
| A6 ('95-On)                 | 57mm        | 3            | C           | 5x112       |
| A8 ('95-On)                 | 57mm        | 3            | C           | 5x112       |
| Allroad Quattro ('01-'05)   | 57mm        | 3            | C           | 5x112       |
| Cabriolet ('92-'98)         | 57mm        | 1            | C           | 4x4.25"     |
| Coupe GT ('81-'85)          | 57mm        | 1            | C           | 4x100       |
| Coupe GT ('86-'88)          | 57mm        | 1            | C           | 4x4.25"     |
| Coupe Quattro ('81-'85)     | 57mm        | 3            | C           | 5x112       |
| Coupe Quattro ('89-'91)     | 57mm        | 1            | C           | 4x4.25"     |
| Q5 ('09-On)                 | 66.5mm      | 3            | C           | 5x112       |
| Q7 ('07-On)                 | 71.5mm      | 3            | C           | 5x130       |
| R8 ('08-On)                 |             | 3            | C           | 5x112       |
| RS4 ('08)                   | 57mm        | 3            | C           | 5x112       |
| RS6 ('03)                   | 57mm        | 3            | C           | 5x112       |
| S4 ('92-'94)                | 57mm        | 3            | C           | 5x112       |
| S5 ('08-On)                 | 66.5mm      | 3            | C           | 5x112       |
| S6 ('95-'96+'02-'03+'07-On) | 57mm        | 3            | C           | 5x112       |
| S8 ('01-'03+'07-On)         | 57mm        | 3            | C           | 5x112       |
| TT ('99-'07)                | 57mm        | 2            | C           | 5x100       |

|                            | OEM Collet™ | CenTor Plate | CenTor Stud | Bolt Circle |
|----------------------------|-------------|--------------|-------------|-------------|
| <b>AUDI Continued</b>      |             |              |             |             |
| TT ('08-On)                | 57mm        | 3            | C           | 5x112       |
| TTS ('09-On)               | 57mm        | 3            | C           | 5x112       |
| V8 ('90-'94)               | 57mm        | 3            | C           | 5x112       |
| <b>BENTLEY</b>             |             |              |             |             |
| Arnage ('99-On)            | 72.5mm      | 2            | C           | 5x120       |
| Arnage Azure ('99-On)      | 72.5mm      | 2            | C           | 5x120       |
| Arnage Brooklands ('09-On) | 72.5mm      | 2            | C           | 5x120       |
| Continental ('04-On)       | 57mm        | 3            | C           | 5x112       |
| <b>BMW</b>                 |             |              |             |             |
| 1 Series ('08-On)          | 72.5mm      | 2            | A           | 5x120       |
| 3 Series (To-'93)          | 57mm        | 1            | A           | 4x100       |
| 3 Series ('94-On)          | 72.5mm      | 2            | A           | 5x120       |
| 5 Series (To-'96)          | 72.5mm      | 2            | A           | 5x120       |
| 5 Series ('97-'03)         | 74mm        | 2            | A           | 5x120       |
| 5 Series ('04-On)          | 72.5mm      | 2            | A           | 5x120       |
| 6 Series ('77-'89)         | 72.5mm      | 2            | A           | 5x120       |
| 6 Series ('04-On)          | 72.5mm      | 2            | A           | 5x120       |
| 7 Series ('77-On)          | 72.5mm      | 2            | A           | 5x120       |
| 8 Series ('91-'97)         | 72.5mm      | 2            | A           | 5x120       |
| 2002 ('69-'76)             | 57mm        | 1            | A           | 4x100       |
| M Roadster ('98-On)        | 72.5mm      | 2            | A           | 5x120       |
| Z3 ('96-'02)               | 72.5mm      | 2            | A           | 5x120       |
| Z4 ('03-On)                | 72.5mm      | 2            | A           | 5x120       |
| Z8 ('00-'03)               | 72.5mm      | 2            | A           | 5x120       |
| X3 ('04-On)                | 72.5mm      | 2            | A           | 5x120       |
| X5 ('00-'06)               | 72.5mm      | 2            | A           | 5x120       |
| X5 ('07-On)                | 74mm        | 2            | A           | 5x120       |
| X6 Front Wheel ('08-On)    | 74mm        | 2            | A           | 5x120       |
| X6 Rear Wheel ('08-On)     | 72.5mm      | 2            | A           | 5x120       |
| Continued back page        |             |              |             |             |

|                         | OEM Collet™ | CenTor Plate | CenTor Stud | Bolt Circle |
|-------------------------|-------------|--------------|-------------|-------------|
| <b>BUICK</b>            |             |              |             |             |
| Century (To-'81)        | Cone        | 3            | A           | 5x4.75"     |
| Century ('84-'96)       | Cone        | 3            | A           | 5x115       |
| Century ('97-'05)       | 70.2mm      | 3            | A           | 5x115       |
| Century Coupe (To-'87)  | Cone        | 2            | A           | 5x100       |
| Electra FWD (To-'90)    | Cone        | 3            | A           | 5x115       |
| Electra RWD             | Cone        | 2            | A           | 5x5"        |
| Enclave ('08-On)        | 74.5mm      | 4            | A           | 6x132       |
| Grand National (To-'87) | Cone        | 3            | A           | 5x4.75"     |
| Grand Sport (To-'81)    | Cone        | 3            | A           | 5x4.75"     |
| LaCrosse ('05-'09)      | 70.2mm      | 3            | A           | 5x115       |
| LaCrosse ('10-On)       | 67mm        | 2            | A           | 5x120       |
| LeSabre (To-'91)        | Cone        | 3            | A           | 5x115       |
| LeSabre ('92-'05)       | 70.2mm      | 3            | A           | 5x115       |
| LeSabre RWD             | Cone        | 2            | A           | 5x5"        |
| Lucerne ('06-On)        | 70.2mm      | 3            | A           | 5x115       |
| Park Avenue (To-'88)    | Cone        | 2            | A           | 5x100       |
| Park Avenue ('89-'91)   | Cone        | 3            | A           | 5x115       |
| Park Avenue ('92-'05)   | 70.2mm      | 3            | A           | 5x115       |
| Rainier ('04-'07)       | 78mm        | 4            | A           | 6x5"        |
| Reatta ('89-'91)        | Cone        | 3            | A           | 5x115       |
| Regal ('79-'87)         | Cone        | 3            | A           | 5x4.75"     |
| Regal ('88-'97)         | Cone        | 3            | A           | 5x115       |
| Regal ('98-'04)         | 70.2mm      | 3            | A           | 5x115       |
| Regal ('11-On)          |             |              |             |             |
| Rendezvous ('01-'07)    | 70.2mm      | 3            | A           | 5x115       |
| Riviera ('79-'85)       | Cone        | 3            | A           | 5x4.75"     |
| Riviera ('86-'99)       | 70.2mm      | 3            | A           | 5x115       |
| Roadmaster (To-'95)     | Cone        | 2            | A           | 5x5"        |
| Skyhawk (To-'93)        | Cone        | 2            | A           | 5x100       |
| Skylark ('89-'97)       | Cone        | 2            | A           | 5x100       |
| Somerset (To-'91)       | Cone        | 2            | A           | 5x100       |
| Terraza ('05)           | 70.2mm      | 3            | A           | 5x115       |
| Terraza ('06-'07)       | 70.2mm      | 4            | A           | 6x115       |

|                             | OEM Collet™ | CenTor Plate | CenTor Stud | Bolt Circle |
|-----------------------------|-------------|--------------|-------------|-------------|
| <b>CADILLAC</b>             |             |              |             |             |
| Allante ('87-'91)           | Cone        | 3            | A           | 5x115       |
| Calais (To-'85)             | Cone        | 2            | A           | 5x5"        |
| Catera ('96-'02)            | 65mm        | 2            | A           | 5x110       |
| Cimarron ('81-'85)          | Cone        | 2            | A           | 5x100       |
| CTS ('02-'07)               | 70.2mm      | 3            | A           | 5x115       |
| CTS ('08-On)                | 67mm        | 2            | A           | 5x120       |
| CTS-V ('04-'07)             | 70.2mm      | 4            | A           | 6x115       |
| CTS-V ('09-On)              | 67mm        | 2            | A           | 5x120       |
| DeVille (To-'85)            | Cone        | 2            | A           | 5x5"        |
| DeVille ('86-'91)           | Cone        | 3            | A           | 5x115       |
| DeVille ('93-'05)           | 70.2mm      | 3            | A           | 5x115       |
| DTS ('06-On)                | 70.2mm      | 3            | A           | 5x115       |
| Eldorado (To-'85)           | Cone        | 3            | A           | 5x4.75"     |
| Eldorado ('86-'88)          | Cone        | 3            | A           | 5x115       |
| Eldorado ('91-'03)          | 70.2mm      | 3            | A           | 5x115       |
| Escalade ('02-On)           | 78mm        | 4            | A           | 6x5.5"      |
| Fleetwood FWD (90-'96)      | Cone        | 3            | A           | 5x115       |
| Fleetwood RWD (To-'90)      | Cone        | 2            | A           | 5x5"        |
| Seville ('75-'76 & '80-'85) | Cone        | 3            | A           | 5x4.75"     |
| Seville ('77-'79)           | Cone        | 2            | A           | 5x5"        |
| Seville ('86-'96)           | Cone        | 3            | A           | 5x115       |
| Seville ('97-'04)           | 70.2mm      | 3            | A           | 5x115       |
| SRX ('04-On)                | 70.2mm      | 4            | A           | 6x115       |
| STS ('05-On)                | 70.2mm      | 3            | A           | 5x115       |
| STS-V ('06-On)              | 70.2mm      | 4            | A           | 6x115       |
| XLR ('04-On)                | 70.2mm      | 3            | A           | 5x4.75"     |
| <b>CHEVROLET &amp; GEO</b>  |             |              |             |             |
| Astro ('85-'02)             | 78mm        | 2            | A           | 5x5"        |
| Astro ('03-'05)             | 78mm        | 4            | A           | 6x5.5"      |
| Avalanche 1500 ('02-On)     | 78mm        | 4            | A           | 6x5.5"      |
| Avalanche 2500 ('02-'06)    | 4.60"       | 1            | B           | 8x6.5"      |
| Aveo ('04-On)               | 56.5mm      | 1            | A           | 4x100       |
| Bel Air ('77-'90)           | Cone        | 3            | A           | 5x4.75"     |

|   | OEM Collet™ | CenTor Plate | CenTor Stud | Bolt Circle |
|---|-------------|--------------|-------------|-------------|
| <b>CHEVROLET &amp; GEO</b> <i>Continued</i> |             |              |             |             |
| Beretta ('89-'96)                           | Cone        | 2            | A           | 5x100       |
| Blazer 2WD Full Size ('71-'92)              | Cone        | 2            | A           | 5x5"        |
| Blazer 4WD Full Size (To-'95)               | Cone        | 4            | A           | 6x5.5"      |
| C-10 (To-'87)                               | Cone        | 2            | A           | 5x5"        |
| C-1500 ('88-'98)                            | Cone        | 2            | A           | 5x5"        |
| C/K-2500 ('88-'98)                          | Cone        | 4            | A           | 6x6.5"      |
| C/K-2500 Dual ('88-'00)                     | Cone        | 1            | B           | 8x6.5"      |
| C/K-2500 HD ('88-'00)                       | Cone        | 1            | B           | 8x6.5"      |
| C/K-3500 ('88-'00)                          | Cone        | 1            | B           | 8x6.5"      |
| C/K-3500 Dual ('88-'00)                     | Cone        | 1            | B           | 8x6.5"      |
| Caballero (To-'87)                          | Cone        | 3            | A           | 5x4.75"     |
| Camero (To-'92)                             | Cone        | 3            | A           | 5x4.75"     |
| Camaro ('93-'02)                            | 70.2mm      | 3            | A           | 5x4.75"     |
| Camaro ('10-On)                             | 67mm        | 2            | A           | 5x120       |
| Caprise ('77-'90)                           | Cone        | 3            | A           | 5x4.75"     |
| Caprise ('91-'96)                           | 78mm        | 2            | A           | 5x5"        |
| Cavalier ('89-'05)                          | 57mm        | 2            | A           | 5x100       |
| Celebrity ('86-'89)                         | Cone        | 3            | A           | 5x115       |
| Chevelle (To-'88)                           | Cone        | 3            | A           | 5x4.75"     |
| Chevette ('76-'87)                          | Cone        | 1            | A           | 4x100       |
| Citation ('80-'88)                          | Cone        | 2            | A           | 5x100       |
| Cobalt LS & LT ('05-'08)                    | 56.5mm      | 1            | A           | 4x100       |
| Cobalt LS ('09-On)                          | 65mm        | 1            | A           | 4x100       |
| Cobalt LT ('09-On)                          | 65mm        | 2            | A           | 5x110       |
| Cobalt SS ('06-On)                          | 65mm        | 2            | A           | 5x110       |
| Colorado ('04-On)                           | 100mm       | 4            | A           | 6x5.5"      |
| Corsica (To-'88)                            | Cone        | 2            | A           | 5x100       |
| Corsica ('89-'97)                           | 57mm        | 2            | A           | 5x100       |
| Corvette (To-'96)                           | Cone        | 3            | A           | 5x4.75"     |
| Corvette ('97-'On)                          | 70.2mm      | 3            | A           | 5x4.75"     |
| E-10 (To-'96)                               | Cone        | 2            | A           | 5x5"        |
| El Camino (To-'87)                          | Cone        | 3            | A           | 5x4.75"     |
| <i>Continued next page</i>                  |             |              |             |             |

|   | OEM Collet™ | Centor Plate | Centor Stud | Bolt Circle |
|---|-------------|--------------|-------------|-------------|
| <b>CHEVROLET &amp; GEO</b> <i>Continued</i> |             |              |             |             |
| <b>Epica</b> ('04-'06)                      | 56.5mm      | 1            | A           | 4x4.5"      |
| <b>Equinox</b> ('05-'09)                    | 70.2mm      | 3            | A           | 5x115       |
| <b>Equinox</b> ('10-On)                     | 67mm        | 2            | A           | 5x120       |
| <b>Express G-1500</b> ('97-On)              | 78mm        | 2            | A           | 5x5"        |
| <b>Express G-2500</b> ('97-On)              | 78mm        | 4            | B           | 6x5.5"      |
| <b>Express G-2500HD</b> ('97-On)            | 78mm        | 1            | B           | 8x6.5"      |
| <b>Express G-3500</b> ('97-On)              | 78mm        | 1            | B           | 8x6.5"      |
| <b>G-10</b>                                 | Cone        | 2            | A           | 5x5"        |
| <b>G-30 Dual</b> ('76-'00)                  | Cone        | 1            | B           | 8x6.5"      |
| <b>G-30 Single</b> ('91-'04)                | Cone        | 1            | B           | 8x6.5"      |
| <b>GE/GS-2500</b> ('71-'04)                 | Cone        | 1            | B           | 8x6.5"      |
| <b>GE/GS-3500</b> ('76-'00)                 | Cone        | 1            | B           | 8x6.5"      |
| <b>HHR</b> ('06-On)                         | 65mm        | 2            | A           | 5x110       |
| <b>Impala</b> (To-'90)                      | Cone        | 3            | A           | 5x4.75"     |
| <b>Impala</b> ('95-'99)                     | 78mm        | 2            | A           | 5x5"        |
| <b>Impala</b> ('00-On)                      | 70.2mm      | 3            | A           | 5x115       |
| <b>Impala SS</b> ('94-'98)                  | 78mm        | 2            | A           | 5x5"        |
| <b>K-10</b> (To-'87)                        | Cone        | 4            | A           | 6x5.5"      |
| <b>K-1500</b> ('88-'98)                     | Cone        | 4            | A           | 6x5.5"      |
| <b>Laguna</b> (To-'85)                      | Cone        | 3            | A           | 5x4.75"     |
| <b>Laredo 2WD</b> (To-'98)                  | Cone        | 2            | A           | 5x5"        |
| <b>Laredo 4WD</b> (To-'98)                  | Cone        | 4            | A           | 6x5.5"      |
| <b>Lumina</b> ('90-'01)                     | 70.2mm      | 3            | A           | 5x115       |
| <b>Malibu</b> (To-'88)                      | Cone        | 3            | A           | 5x4.75"     |
| <b>Malibu</b> ('97-'03)                     | 70.2mm      | 3            | A           | 5x115       |
| <b>Malibu</b> ('10-On)                      | 65mm        | 2            | A           | 5x110       |
| <b>Metro</b> ('98-'01)                      | Cone        | 1            | A           | 4x4.5"      |
| <b>Monte Carlo</b> (To-'88)                 | Cone        | 3            | A           | 5x4.75"     |
| <b>Monte Carlo</b> ('95-'07)                | 70.2mm      | 3            | A           | 5x115       |
| <b>Optra</b> ('04-'07)                      | 56.5mm      | 1            | A           | 4x4.5"      |
| <b>P-10</b> (To-'87)                        | Cone        | 2            | A           | 5x5"        |
| <b>P-1500</b> (To-'87)                      | Cone        | 2            | A           | 5x5"        |
| <b>P-2500 Step Van</b> ('71-'04)            | Cone        | 1            | B           | 8x6.5"      |

|   | OEM Collet™ | Centor Plate | Centor Stud | Bolt Circle |
|---|-------------|--------------|-------------|-------------|
| <b>CHEVROLET &amp; GEO</b> <i>Continued</i> |             |              |             |             |
| <b>P-3500</b>                               | Cone        | 1            | B           | 8x6.5"      |
| <b>Prizm</b> ('89-'02)                      | Cone        | 1            | A           | 4x100       |
| <b>S-10 Pickup</b> (To-'91)                 | Cone        | 3            | A           | 5x4.75"     |
| <b>S-10 Blazer</b> (To-'94)                 | Cone        | 3            | A           | 5x4.75"     |
| <b>S-10</b> ('95-'04)                       | 70.2mm      | 3            | A           | 5x4.75"     |
| <b>Spectrum</b> ('86-'90)                   | Cone        | 1            | A           | 4x100       |
| <b>Silverado C/K-1500</b> ('99-On)          | 78mm        | 4            | A           | 6x5.5"      |
| <b>Silverado C/K-1500HD</b>                 | 4.60"       | 1            | B           | 8x6.5"      |
| <b>Silverado C/K-2500</b> ('99-On)          | 4.60"       | 1            | B           | 8x6.5"      |
| <b>Silverado C/K-3500</b> ('99-On)          | 4.60"       | 1            | B           | 8x6.5"      |
| <b>Silverado Dual</b> ('01-On)              | 4.60"       | 1            | B           | 8x6.5"      |
| <b>Sprint</b> ('86-'88)                     | Cone        | 1            | A           | 4x4.5"      |
| <b>SSR</b> ('04-'06)                        | 78mm        | 4            | A           | 6x5"        |
| <b>Suburban K-1500</b> ('88-'03)            | Cone        | 4            | A           | 6x5.5"      |
| <b>Suburban C-2500</b> ('88-'99)            | Cone        | 4            | A           | 6x5.5"      |
| <b>Suburban K-1500HD</b> ('00-'06)          | Cone        | 1            | B           | 8x6.5"      |
| <b>Suburban K-2500</b> ('88-'06)            | Cone        | 1            | B           | 8x6.5"      |
| <b>Suburban 1500</b> ('07-On)               | 78mm        | 4            | A           | 6x5.5"      |
| <b>Storm</b> ('90-'94)                      | Cone        | 1            | A           | 4x100       |
| <b>Tahoe 2WD</b> (To-'00)                   | Cone        | 2            | A           | 5x5"        |
| <b>Tahoe 4WD</b> (To-'00)                   | Cone        | 4            | A           | 6x5.5"      |
| <b>Tahoe</b> ('00-On)                       | 78mm        | 4            | A           | 6x5.5"      |
| <b>Tracker</b> ('98-'04)                    | 108mm       | 3            | A           | 5x5.5"      |
| <b>TrailBlazer</b> ('01-On)                 | 78mm        | 4            | A           | 6x5"        |
| <b>Traverse</b> ('09-On)                    | 78mm        | 4            | A           | 6x132       |
| <b>Uplander</b> ('05)                       | 70.2mm      | 3            | A           | 5x115       |
| <b>Uplander</b> ('06-On)                    | 70.2mm      | 4            | A           | 6x115       |
| <b>Venture</b> ('02-'04)                    | 70.2mm      | 3            | A           | 5x115       |
| <b>CHRYSLER</b>                             |             |              |             |             |
| <b>300C</b> ('05-On)                        | 71.5mm      | 3            | A           | 5x115       |
| <b>300M</b> ('98-'04)                       | 71.5mm      | 2            | A           | 5x4.5"      |
| <b>5th Avenue</b> (To-'87)                  | Cone        | 2            | A           | 5x4.5"      |
| <b>Aspen</b> ('07-On)                       | 77.8mm      | 3            | A           | 5x5.5"      |

|                                     | OEM Collet™ | Centor Plate | Centor Stud | Bolt Circle |
|-------------------------------------|-------------|--------------|-------------|-------------|
| <b>CHRYSLER</b>                     |             |              |             |             |
| <b>Cirrus</b> ('95-'01)             | 57mm        | 2            | A           | 5x100       |
| <b>Concorde</b> ('93-'03)           | 71.5mm      | 2            | A           | 5x4.5"      |
| <b>Cordoba</b> (To-'87)             | Cone        | 2            | A           | 5x4.5"      |
| <b>Crossfire</b> ('04-'07)          | 66.5mm      | 3            | C           | 5x112       |
| <b>Imperial</b> ('71-'87)           | Cone        | 2            | A           | 5x4.5"      |
| <b>Imperial</b> ('90-'93)           | Cone        | 2            | A           | 5x100       |
| <b>Laser</b> (To-'84)               | Cone        | 1            | A           | 4x100       |
| <b>Laser</b> ('85-'89)              | Cone        | 2            | A           | 5x100       |
| <b>LeBaron</b> (To-'85)             | Cone        | 1            | A           | 4x100       |
| <b>LeBaron</b> ('86-'96)            | Cone        | 2            | A           | 5x100       |
| <b>LHS</b> ('99-'03)                | 71.5mm      | 2            | A           | 5x4.5"      |
| <b>Newport</b> ('71-'87)            | Cone        | 2            | A           | 5x4.5"      |
| <b>New Yorker</b> ('82-'85)         | Cone        | 1            | A           | 4x100       |
| <b>New Yorker</b> ('86-'93)         | Cone        | 2            | A           | 5x100       |
| <b>New Yorker</b> ('94-'96)         | 71.5mm      | 2            | A           | 5x4.5"      |
| <b>Pacifica</b> ('04-On)            | 71.5mm      | 2            | A           | 5x5"        |
| <b>PT Cruiser</b> ('00-On)          | 57mm        | 2            | A           | 5x100       |
| <b>Sebring Convert.</b> ('96-'06)   | 57mm        | 2            | A           | 5x100       |
| <b>Sebring Coupe</b> ('95-'07)      | 67mm        | 2            | A           | 5x4.5"      |
| <b>Sebring Sedan</b> ('08-On)       | 67mm        | 2            | A           | 5x4.5"      |
| <b>Town &amp; Country</b> (To-'89)  | Cone        | 2            | A           | 5x100       |
| <b>Town &amp; Country</b> ('90-'07) | 71.5mm      | 2            | A           | 5x4.5"      |
| <b>Town &amp; Country</b> ('08-On)  | 71.5mm      | 2            | A           | 5x5"        |
| <b>Voyager</b> ('96-'03)            | 71.5mm      | 2            | A           | 5x4.5"      |
| <b>DAEWOO</b>                       |             |              |             |             |
| <b>Lanos</b> ('99-'02)              | 56.5mm      | 1            | A           | 4x100       |
| <b>Leganza</b> ('99-'02)            | 56.5mm      | 2            | A           | 5x4.5"      |
| <b>Nubira</b> ('99-'02)             | 56.5mm      | 1            | A           | 4x100       |
| <b>DAIHATSU</b>                     |             |              |             |             |
| <b>Charade</b> ('88-'91)            | Cone        | 1            | A           | 4x100       |
| <b>Rocky</b> ('90-'92)              | Cone        | 3            | A           | 5x5.5"      |
| <i>Continued back page</i>          |             |              |             |             |

|                            | OEM Collet™ | CenTor Plate | CenTor Stud | Bolt Circle |
|----------------------------|-------------|--------------|-------------|-------------|
| <b>DODGE</b>               |             |              |             |             |
| <b>400K</b> ('82-'85)      | Cone        | 1            | A           | 4x100       |
| <b>600</b> ('82-'85)       | Cone        | 1            | A           | 4x100       |
| <b>600</b> ('86-'89)       | Cone        | 2            | A           | 5x100       |
| <b>Aries</b> (To-'85)      | Cone        | 1            | A           | 4x100       |
| <b>Aries</b> ('86-'89)     | Cone        | 2            | A           | 5x100       |
| <b>Aspen</b> ('73-'80)     | Cone        | 2            | A           | 5x4.5"      |
| <b>Avenger</b> ('95-'00)   | 67mm        | 2            | A           | 5x4.5"      |
| <b>B100</b> (To-'88)       | Cone        | 2            | A           | 5x4.5"      |
| <b>B100 4WD</b> (To-'88)   | Cone        | 3            | B           | 5x5.5"      |
| <b>B300</b> ('73-'91)      | Cone        | 1            | B           | 8x6.5"      |
| <b>B350</b> ('73-'91)      | Cone        | 1            | B           | 8x6.5"      |
| <b>Caliber</b> ('07-On)    | 67mm        | 2            | A           | 5x4.5"      |
| <b>Caravan</b> (To-'01)    | 57mm        | 2            | A           | 5x100       |
| <b>Caravan</b> ('02-'07)   | 71.5mm      | 2            | A           | 5x4.5"      |
| <b>Challenger</b> ('09-On) | 71.5mm      | 3            | A           | 5x115       |
| <b>Charger</b> (To-'80)    | Cone        | 2            | A           | 5x4.5"      |
| <b>Charger</b> ('82-'86)   | Cone        | 1            | A           | 4x100       |
| <b>Charger</b> ('06-'On)   | 71.5mm      | 3            | A           | 5x115       |
| <b>Colt</b> (To-'92)       | Cone        | 1            | A           | 4x4.5"      |
| <b>Colt</b> ('93-'95)      | Cone        | 1            | A           | 4x100       |
| <b>D100</b> (To-'88)       | Cone        | 2            | A           | 5x4.5"      |
| <b>D100 4WD</b> (To-'88)   | Cone        | 3            | B           | 5x5.5"      |
| <b>D150</b> (To-'88)       | Cone        | 2            | A           | 5x4.5"      |
| <b>D150 4WD</b> (To-'88)   | Cone        | 3            | B           | 5x5.5"      |
| <b>D200</b> ('68-'91)      | Cone        | 1            | B           | 8x6.5"      |
| <b>D250</b> ('68-'91)      | Cone        | 1            | B           | 8x6.5"      |
| <b>D300</b> (To-'91)       | Cone        | 1            | B           | 8x6.5"      |
| <b>D350</b> (To-'91)       | Cone        | 1            | B           | 8x6.5"      |
| <b>D50</b> (To-'91)        | Cone        | 2            | A           | 5x4.5"      |
| <b>Dakota</b> (To-'90)     | Cone        | 2            | A           | 5x4.5"      |
| <b>Dakota</b> ('91-'04)    | 71.5mm      | 4            | A           | 6x4.5"      |
| <b>Dakota</b> ('05-On)     | 77.8mm      | 3            | A           | 5x5.5"      |
| <b>Daytona</b> ('84-'91)   | Cone        | 1            | A           | 4x100       |

|                                | OEM Collet™ | CenTor Plate | CenTor Stud | Bolt Circle |
|--------------------------------|-------------|--------------|-------------|-------------|
| <b>DODGE Continued</b>         |             |              |             |             |
| <b>Daytona Turbo</b> ('84-'91) | Cone        | 2            | A           | 5x100       |
| <b>Diplomat</b> (To-'87)       | Cone        | 2            | A           | 5x4.5"      |
| <b>Durango</b> (To-'03)        | 71.5mm      | 4            | A           | 6x4.5"      |
| <b>Durango</b> ('04-On)        | 71.5mm      | 3            | A           | 5x5.5"      |
| <b>Dynasty</b> (To-'90)        | Cone        | 2            | A           | 5x100       |
| <b>Grand Caravan</b> (To-'98)  | Cone        | 2            | A           | 5x4.5"      |
| <b>Grand Caravan</b> ('99-'07) | 71.5mm      | 2            | A           | 5x4.5"      |
| <b>Grand Caravan</b> ('08-On)  | 71.5mm      | 2            | A           | 5x5"        |
| <b>Intrepid</b> ('93-'05)      | 71.5mm      | 2            | A           | 5x4.5"      |
| <b>Journey</b> ('09-On)        | 71.5mm      | 2            | A           | 5x5"        |
| <b>Lancer</b> (To-'89)         | Cone        | 2            | A           | 5x100       |
| <b>Magnum</b> ('71-'80)        | Cone        | 2            | A           | 5x4.5"      |
| <b>Magnum</b> ('05-'08)        | 71.5mm      | 3            | A           | 5x115       |
| <b>Neon 4 Lug</b> ('94-'06)    | 57mm        | 1            | A           | 4x100       |
| <b>Neon 5 Lug</b> ('94-'06)    | 57mm        | 2            | A           | 5x100       |
| <b>Nitro</b> ('07-On)          | 71.5mm      | 2            | A           | 5x4.5"      |
| <b>Omni 4 Lug</b> (To-'90)     | Cone        | 1            | A           | 4x100       |
| <b>Omni 5 Lug</b> (To-'89)     | Cone        | 2            | A           | 5x100       |
| <b>Ram 1500</b> ('85-'01)      | Cone        | 3            | A           | 5x5.5"      |
| <b>Ram 1500</b> ('02-On)       | 77.8mm      | 3            | A           | 5x5.5"      |
| <b>Ram 2500</b>                | 4.77"       | 1            | B           | 8x6.5"      |
| <b>Ram 2500 Dual</b>           | 4.77"       | 1            | B           | 8x6.5"      |
| <b>Ram 3500</b>                | 4.77"       | 1            | B           | 8x6.5"      |
| <b>Ram 3500 Dual</b>           | 4.77"       | 1            | B           | 8x6.5"      |
| <b>Ram 50</b> (To-'91)         | Cone        | 4            | B           | 6x5.5"      |
| <b>Ramcharger</b> ('79-'93)    | Cone        | 3            | A           | 5x5.5"      |
| <b>Rampage</b> ('82-'86)       | Cone        | 1            | B           | 4x100       |
| <b>Raider</b> ('88-'89)        | 108mm       | 4            | B           | 6x5.5"      |
| <b>Shadow</b> ('87-'91)        | Cone        | 2            | A           | 5x100       |
| <b>Spirit</b> ('88-'95)        | Cone        | 2            | A           | 5x100       |
| <b>Sprinter 2500</b> ('04-'06) | 84mm        | 3            | C           | 5x130       |
| <b>Stealth</b> ('91-'97)       | 67mm        | 2            | A           | 5x4.5"      |
| <b>Stratus</b> ('95-'00)       | 57mm        | 2            | A           | 5x100       |

|                                    | OEM Collet™ | CenTor Plate | CenTor Stud | Bolt Circle |
|------------------------------------|-------------|--------------|-------------|-------------|
| <b>DODGE Continued</b>             |             |              |             |             |
| <b>Stratus Sedan R/T</b> ('01-'06) | 57mm        | 2            | A           | 5x100       |
| <b>Stratus Coupe</b> ('01-'06)     | 57mm        | 2            | A           | 5x4.5"      |
| <b>Viper</b> ('92-On)              | 71.5mm      | 4            | A           | 6x4.5"      |
| <b>EAGLE</b>                       |             |              |             |             |
| <b>Premier</b> ('88-'92)           | Cone        | 3            | A           | 5x4.25"     |
| <b>Medallion</b> ('89)             | Cone        | 1            | A           | 4x100       |
| <b>Summit</b> ('89-'92)            | 67mm        | 1            | A           | 4x4.5"      |
| <b>Summit</b> ('93-'96)            | 57mm        | 1            | A           | 4x100       |
| <b>Talon</b> ('90-'98)             | 67mm        | 2            | A           | 5x4.5"      |
| <b>Vision</b> ('89-'93)            | 67mm        | 2            | A           | 5x4.5"      |
| <b>Vision</b> ('94-'97)            | 71.5mm      | 2            | A           | 5x4.5"      |
| <b>FERRARI</b>                     |             |              |             |             |
| <b>308</b> (To-'85)                | Cone        | 3            | A           | 5x4.25"     |
| <b>328</b> ('86-'89)               | Cone        | 3            | A           | 5x4.25"     |
| <b>348</b> ('90-'94)               | Cone        | 3            | A           | 5x4.25"     |
| <b>360 Modena</b> ('00-'05)        | 67mm        | 3            | A           | 5x4.25"     |
| <b>456</b> ('94-'03)               | 67mm        | 3            | A           | 5x4.25"     |
| <b>512TR</b> ('93-'96)             | Cone        | 3            | A           | 5x4.25"     |
| <b>550 Maranello</b> ('97-'01)     | 67mm        | 3            | A           | 5x4.25"     |
| <b>575 Maranello</b> ('02-'06)     | 67mm        | 3            | A           | 5x4.25"     |
| <b>599 Fiorano</b> ('07-On)        |             | 2            | A           | 5x4.5"      |
| <b>612 Scaglietti</b> ('06-On)     |             | 2            | A           | 5x4.5"      |
| <b>California</b> ('09-On)         |             | 2            | A           | 5x4.5"      |
| <b>F355</b> ('95-'99)              | 67mm        | 3            | A           | 5x4.25"     |
| <b>F430</b> ('06-On)               |             | 2            | A           | 5x4.5"      |
| <b>Mondial</b> ('83-'91)           | Cone        | 3            | A           | 5x4.25"     |
| <b>Testarossa</b> ('85-'91)        | Cone        | 3            | A           | 5x4.25"     |
| <b>FORD</b>                        |             |              |             |             |
| <b>Aerostar</b> ('85-'97)          | Cone        | 2            | A           | 5x4.5"      |
| <b>Aspire</b> ('94-'97)            | 54mm        | 1            | A           | 4x100       |
| <b>Bronco</b> (To-'96)             | Cone        | 3            | B           | 5x5.5"      |
| <b>Bronco II</b> ('82-'91)         | Cone        | 2            | A           | 5x4.5"      |
| <i>Continued next page</i>         |             |              |             |             |

|                                 | OEM Collet™ | CenTor Plate | CenTor Stud | Bolt Circle |
|---------------------------------|-------------|--------------|-------------|-------------|
| <b>FORD</b> <i>Continued</i>    |             |              |             |             |
| <b>Contour</b> ('95-'99)        | Cone        | 1            | A           | 4x4.25"     |
| <b>Courier</b>                  | Cone        | 4            | B           | 6x5.5"      |
| <b>Crown Victoria</b> ('04-'08) | 70.5mm      | 2            | A           | 5x4.5"      |
| <b>E-100</b> ('75-'07)          | Cone        | 3            | B           | 5x5.5"      |
| <b>E-150</b> ('75-'07)          | Cone        | 3            | B           | 5x5.5"      |
| <b>E-150</b> ('08-On)           | 125mm       | 1            | B           | 8x6.5"      |
| <b>E-200</b> (to-'90)           | Cone        | 2            | A           | 5x4.5"      |
| <b>E-250</b> (To-'01)           | Cone        | 1            | B           | 8x6.5"      |
| <b>E-250</b> ('02-On)           | 125mm       | 1            | B           | 8x6.5"      |
| <b>E-350</b> (To-'01)           | Cone        | 1            | B           | 8x6.5"      |
| <b>E-350</b> ('02-On)           | 125mm       | 1            | B           | 8x6.5"      |
| <b>Edge</b> ('07-On)            | 70.5mm      | 2            | A           | 5x4.5"      |
| <b>Escape</b> ('01-On)          | 67mm        | 2            | A           | 5x4.5"      |
| <b>Escort</b> (To-'90)          | Cone        | 1            | A           | 4x4.25"     |
| <b>Escort</b> ('91-'03)         | 54mm        | 1            | A           | 4x100       |
| <b>Excursion</b> ('00-'05)      | 125mm       | 1            | B           | 8x170       |
| <b>Expedition</b> (To-'02)      | 87mm        | 2            | B           | 5x135       |
| <b>Expedition</b> ('03-On)      | 87mm        | 4            | B           | 6x135       |
| <b>Explorer</b> ('01-On)        | 70.5mm      | 2            | A           | 5x4.5"      |
| <b>F-100</b> (To-'90)           | Cone        | 2            | A           | 5x4.5"      |
| <b>F-150</b> ('48-'96)          | Cone        | 3            | B           | 5x5.5"      |
| <b>F-150</b> ('97-'03)          | 87mm        | 2            | B           | 5x135       |
| <b>F-150</b> ('04-On)           | 87mm        | 4            | B           | 6x135       |
| <b>F-150 Heritage</b> ('04)     | 87mm        | 2            | B           | 5x135       |
| <b>F-250</b> (To-'97)           | Cone        | 1            | B           | 8x6.5"      |
| <b>F-250 SuperDuty</b> ('98-On) | 125mm       | 1            | B           | 8x170       |
| <b>F-350</b> (To-'97)           | Cone        | 1            | B           | 8x6.5"      |
| <b>F-350 SuperDuty</b> ('98-On) | 125mm       | 1            | B           | 8x170       |
| <b>Fairmont</b> (To-'86)        | Cone        | 1            | A           | 4x4.25"     |
| <b>Festiva</b> ('88-'93)        | Cone        | 1            | A           | 4x4.5"      |
| <b>Fiesta</b> ('11-On)          | 63.3mm      | 1            | A           | 4x4.25"     |
| <b>Five Hundred</b> ('05-'07)   | 63.3mm      | 2            | A           | 5x4.5"      |
| <b>Focus</b> ('00-On)           | 63.3mm      | 1            | A           | 4x4.25"     |

|                                     | OEM Collet™ | CenTor Plate | CenTor Stud | Bolt Circle |
|-------------------------------------|-------------|--------------|-------------|-------------|
| <b>FORD</b> <i>Continued</i>        |             |              |             |             |
| <b>Flex</b> ('09-On)                | 70.5mm      | 2            | A           | 5x4.5"      |
| <b>Freestar</b> ('04-'07)           | 63.3mm      | 2            | A           | 5x4.5"      |
| <b>Freestyle</b> ('05-'07)          | 70.5mm      | 2            | A           | 5x4.5"      |
| <b>Fusion</b> ('06-'07)             | 63.3mm      | 2            | A           | 5x4.5"      |
| <b>Fusion</b> ('08-On)              | 67mm        | 2            | A           | 5x4.5"      |
| <b>LTD</b> ('79-'86)                | Cone        | 2            | A           | 5x4.5"      |
| <b>Mustang</b> ('64-'78)            | Cone        | 1            | A           | 4x4.50"     |
| <b>Mustang</b> ('79-'93)            | Cone        | 1            | A           | 4x4.25"     |
| <b>Mustang</b> ('94-On)             | 70.5mm      | 2            | A           | 5x4.5"      |
| <b>Pinto</b> (To-'80)               | Cone        | 1            | A           | 4x4.25"     |
| <b>Probe</b> ('89-'97)              | 67mm        | 2            | A           | 5x4.5"      |
| <b>Ranchero</b> ('66-'79)           | Cone        | 2            | A           | 5x4.5"      |
| <b>Ranger</b> ('81-On)              | Cone        | 2            | A           | 5x4.5"      |
| <b>Taurus</b> ('96-'07)             | 63.3mm      | 3            | A           | 5x4.25"     |
| <b>Taurus</b> ('08-On)              | 63.3mm      | 2            | A           | 5x4.5"      |
| <b>Thunderbird</b> ('80-'88)        | Cone        | 1            | A           | 4x4.25"     |
| <b>Thunderbird</b> ('89-'05)        | 63.3mm      | 3            | A           | 5x4.25"     |
| <b>Tempo</b> (To-'94)               | Cone        | 1            | A           | 4x4.25"     |
| <b>Transit Connect</b> ('10-On)     | 63.3mm      | 3            | A           | 5x4.25"     |
| <b>Windstar</b> ('95-'03)           | 63.3mm      | 3            | A           | 5x4.25"     |
| <b>FREIGHTLINER</b>                 |             |              |             |             |
| <b>Sprinter 2500</b> ('02-'05)      | 84mm        | 3            | C           | 5x130       |
| <b>GMC</b>                          |             |              |             |             |
| <b>Acadia</b> ('07-On)              | 74.5mm      | 4            | A           | 6x132       |
| <b>C-1500</b> (To-'98)              | Cone        | 2            | A           | 5x5"        |
| <b>C-2500</b> ('89-'98)             | Cone        | 1            | B           | 8x6.5"      |
| <b>Canyon</b> ('04-On)              | 100mm       | 4            | A           | 6x5.5"      |
| <b>Envoy</b> (To-'01)               | 70.2mm      | 3            | A           | 5x4.75"     |
| <b>Envoy</b> ('02-On)               | 78mm        | 4            | B           | 6x5"        |
| <b>Jimmy</b> (To-'01)               | Cone        | 3            | A           | 5x4.75"     |
| <b>Jimmy Full Size 2WD</b> (To-'90) | Cone        | 2            | B           | 5x5"        |
| <b>Jimmy Full Size 4WD</b> (To-'91) | Cone        | 4            | B           | 6x5.5"      |
| <b>K-1500</b> (To-'98)              | Cone        | 4            | B           | 6x5.5"      |

|                                    | OEM Collet™ | CenTor Plate | CenTor Stud | Bolt Circle |
|------------------------------------|-------------|--------------|-------------|-------------|
| <b>GMC</b> <i>Continued</i>        |             |              |             |             |
| <b>K-2500</b> (To-'98)             | Cone        | 1            | B           | 8x6.5"      |
| <b>Rally Van</b> ('86-'96)         | Cone        | 2            | A           | 5x5"        |
| <b>Safari</b> ('85-'05)            | Cone        | 2            | A           | 5x5"        |
| <b>Savana</b> ('96-'02)            | Cone        | 2            | A           | 5x5"        |
| <b>Savana G-1500</b> ('03-On)      | 78mm        | 4            | A           | 6x5.5"      |
| <b>Savana 2500</b> ('97-'03)       | 78mm        | 4            | B           | 6x5.5"      |
| <b>Savana 2500HD</b> ('97-'03)     | Cone        | 1            | B           | 8x6.5"      |
| <b>Savana G-2500</b> ('04-On)      | 78mm        | 4            | A           | 6x5.5"      |
| <b>Savana G-2500HD</b> ('04-On)    | 4.60"       | 1            | B           | 8x6.5"      |
| <b>Savana 3500</b> ('97-'03)       | Cone        | 1            | B           | 8x6.5"      |
| <b>Savana G-3500</b> ('04-On)      | 4.60"       | 1            | B           | 8x6.5"      |
| <b>Sierra 2500</b> ('99-'06)       | Cone        | 1            | B           | 8x6.5"      |
| <b>Sierra 3500</b> ('90-'06)       | Cone        | 1            | B           | 8x6.5"      |
| <b>Sierra 2WD Pickup</b> ('86-'98) | Cone        | 2            | B           | 5x5"        |
| <b>Sierra 2WD Pickup</b> ('99-On)  | 78mm        | 4            | B           | 6x5.5"      |
| <b>Sierra 4WD Pickup</b>           | 78mm        | 4            | B           | 6x5.5"      |
| <b>Sierra C/K-1500</b> ('03-On)    | 78mm        | 4            | B           | 6x5.5"      |
| <b>Sierra C/K-2500</b> ('03-On)    | 4.60"       | 1            | B           | 8x6.5"      |
| <b>Sierra C/K-3500</b> ('03-On)    | 4.60"       | 1            | B           | 8x6.5"      |
| <b>Sierra Classic</b> ('07-On)     | Cone        | 1            | B           | 8x6.5"      |
| <b>Sonoma</b> ('83-'03)            | Cone        | 3            | A           | 5x4.75"     |
| <b>Suburban 1500 2WD</b> (To-'99)  | Cone        | 2            | A           | 5x5"        |
| <b>Suburban 1500 4WD</b> (To-'99)  | Cone        | 4            | B           | 6x5.5"      |
| <b>Suburban 2500</b> (To-'99)      | Cone        | 1            | B           | 8x6.5"      |
| <b>Syclone</b> ('91-'93)           | Cone        | 3            | A           | 5x4.75"     |
| <b>Yukon 2WD</b> (To-'99)          | Cone        | 2            | A           | 5x5"        |
| <b>Yukon 2WD</b> ('00-On)          | 78mm        | 4            | B           | 6x5.5"      |
| <b>Yukon 4WD</b>                   | 78mm        | 4            | B           | 6x5.5"      |
| <b>Yukon XL1500</b> ('00-On)       | 78mm        | 4            | B           | 6x5.5"      |
| <b>Yukon XL2500</b> ('00-On)       | 4.60"       | 1            | B           | 8x6.5"      |
| <b>Terrain</b> ('10-On)            | 67mm        | 2            | A           | 5x120       |
| <b>Typhoon</b> ('92-'94)           | Cone        | 3            | A           | 5x4.75"     |
| <i>Continued back page</i>         |             |              |             |             |



|                             | OEM Collet™ | CenTor Plate | CenTor Stud | Bolt Circle |
|-----------------------------|-------------|--------------|-------------|-------------|
| <b>HONDA</b>                |             |              |             |             |
| Accord (To-'89)             | Cone        | 1            | C           | 4x100       |
| Accord 4 Cylinder ('90-'02) | 64mm        | 1            | C           | 4x4.5"      |
| Accord 6 Cylinder ('98-'02) | 64mm        | 2            | C           | 5x4.5"      |
| Accord ('03-On)             | 64mm        | 2            | C           | 5x4.5"      |
| Civic ('80-'05)             | 56mm        | 1            | C           | 4x100       |
| Civic ('06-On)              | 64mm        | 2            | C           | 5x4.5"      |
| CR-V ('97-On)               | 64mm        | 2            | C           | 5x4.5"      |
| CRX ('84-'91)               | 56mm        | 1            | C           | 4x100       |
| Del Sol ('93-'97)           | 56mm        | 1            | C           | 4x100       |
| Element ('03-On)            | 64mm        | 2            | C           | 5x4.5"      |
| Fit ('07-On)                | 56mm        | 1            | C           | 4x100       |
| Insight ('00-'06)           | 56mm        | 1            | C           | 4x100       |
| Odessey ('98-'04)           | 64mm        | 2            | C           | 5x4.5"      |
| Odyssey ('05-On)            | 64mm        | 2            | C           | 5x120       |
| Passport ('95-'02)          | 100mm       | 4            | B           | 6x5.5"      |
| Pilot ('02-'08)             | 64mm        | 2            | C           | 5x4.5"      |
| Pilot ('09-On)              | 64mm        | 2            | C           | 5x120       |
| Prelude (To-'91)            | 56mm        | 1            | C           | 4x100       |
| Prelude ('92-'96)           | 64mm        | 1            | C           | 4x4.5"      |
| Prelude ('97-'01)           | 64mm        | 2            | C           | 5x4.5"      |
| Ridgeline ('05-On)          | 64mm        | 2            | C           | 5x120       |
| S2000 ('00-On)              | 64mm        | 2            | C           | 5x4.5"      |
| <b>HUMMER</b>               |             |              |             |             |
| H1 ('93-'06)                | 4.60"       | 1            | B           | 8x6.5"      |
| H2 ('03-On)                 | 4.60"       | 1            | B           | 8x6.5"      |
| H3 ('06-On)                 | 100mm       | 4            | A           | 6x5.5"      |
| <b>HYUNDAI</b>              |             |              |             |             |
| Accent (To-'99)             | 67mm        | 1            | A           | 4x4.5"      |
| Accent ('00-On)             | 54mm        | 1            | A           | 4x100       |
| Azera ('06-On)              | 67mm        | 2            | A           | 5x4.5"      |
| Elantra ('91-'06)           | 67mm        | 1            | A           | 4x4.5"      |
| Elantra ('07-On)            | 67mm        | 2            | A           | 5x4.5"      |
| Entourage ('07-On)          | 93mm        | 4            | A           | 6x5.5"      |

|                          | OEM Collet™ | CenTor Plate | CenTor Stud | Bolt Circle |
|--------------------------|-------------|--------------|-------------|-------------|
| <b>HYUNDAI Continued</b> |             |              |             |             |
| Excel (To-'95)           | 67mm        | 1            | A           | 4x4.5"      |
| Genesis ('09-On)         | 67mm        | 2            | A           | 5x4.5"      |
| Santa Fe ('02-On)        | 67mm        | 2            | A           | 5x4.5"      |
| Scoupe ('91-'95)         | 67mm        | 1            | A           | 4x4.5"      |
| Sonata ('89-'05)         | 67mm        | 1            | A           | 4x4.5"      |
| Sonata ('06-On)          | 67mm        | 2            | A           | 5x4.5"      |
| Tiburon ('97-'02)        | 67mm        | 1            | A           | 4x4.5"      |
| Tiburon ('03-On)         | 67mm        | 2            | A           | 5x4.5"      |
| Tucson ('05-On)          | 67mm        | 2            | A           | 5x4.5"      |
| Veracruz ('07-On)        | 67mm        | 2            | A           | 5x4.5"      |
| XG300 (2001)             | 67mm        | 2            | A           | 5x4.5"      |
| XG350 ('02-'05)          | 67mm        | 2            | A           | 5x4.5"      |
| <b>INFINITI</b>          |             |              |             |             |
| EX35 ('08-On)            | 66mm        | 2            | A           | 5x4.5"      |
| FX35 ('03-On)            | 66mm        | 2            | A           | 5x4.5"      |
| FX45 ('03-'08)           | 66mm        | 2            | A           | 5x4.5"      |
| FX50 ('09-On)            | 66mm        | 2            | A           | 5x4.5"      |
| G20 ('90-'02)            | 66mm        | 1            | A           | 4x4.5"      |
| G35 ('03-'08)            | 66mm        | 2            | A           | 5x4.5"      |
| G37 ('09-On)             | 66mm        | 2            | A           | 5x4.5"      |
| I30 ('96-'01)            | 66mm        | 2            | A           | 5x4.5"      |
| I35 ('02-'04)            | 66mm        | 2            | A           | 5x4.5"      |
| J30 ('93-'97)            | 66mm        | 2            | A           | 5x4.5"      |
| M30 ('90-'92)            | 66mm        | 1            | A           | 4x4.5"      |
| M35 ('06-On)             | 66mm        | 2            | A           | 5x4.5"      |
| M45 ('03-On)             | 66mm        | 2            | A           | 5x4.5"      |
| Q45 ('90-'06)            | 66mm        | 2            | A           | 5x4.5"      |
| QX4 ('97-'03)            | 108mm       | 4            | A           | 6x5.5"      |
| QX56 ('04-On)            | 77.8mm      | 4            | A           | 6x5.5"      |
| <b>ISUZU</b>             |             |              |             |             |
| Amigo ('89-'00)          | 100mm       | 4            | A           | 6x5.5"      |
| Ascender ('03-'08)       | 78mm        | 4            | A           | 6x5"        |
| Axiom ('01-'04)          | 100mm       | 4            | A           | 6x5.5"      |

|                            | OEM Collet™ | CenTor Plate | CenTor Stud | Bolt Circle |
|----------------------------|-------------|--------------|-------------|-------------|
| <b>ISUZU Continued</b>     |             |              |             |             |
| Hombre ('96-'00)           | Cone        | 3            | A           | 5x4.75"     |
| I-Mark ('81-'90)           | Cone        | 1            | A           | 4x100       |
| i-Series ('06-'08)         | 100mm       | 4            | A           | 6x5.5"      |
| Impulse ('83-'93)          | Cone        | 1            | A           | 4x100       |
| Oasis ('96-'99)            | 64mm        | 2            | A           | 5x4.5"      |
| Rodeo ('91-'03)            | 100mm       | 4            | A           | 6x5.5"      |
| Stylus ('90-'93)           | Cone        | 1            | A           | 4x100       |
| Trooper ('85-'02)          | 100mm       | 4            | A           | 6x5.5"      |
| Vehi-Cross ('99-'01)       | 100mm       | 4            | A           | 6x5.5"      |
| <b>JAGUAR</b>              |             |              |             |             |
| S-Type ('00-'08)           | 63.3mm      | 3            | A           | 5x4.25"     |
| X-Type ('02-'07)           | 63.3mm      | 3            | A           | 5x4.25"     |
| XJ Series (To-'03)         | 73.7mm      | 3            | A           | 5x4.75"     |
| XJ Series ('04-On)         | 63.3mm      | 3            | A           | 5x4.25"     |
| XF Series ('09-On)         | 63.3mm      | 3            | A           | 5x4.25"     |
| XK Series ('96-'06)        | 73.7mm      | 3            | A           | 5x4.75"     |
| XK Series ('07-On)         | 63.3mm      | 3            | A           | 5x4.25"     |
| <b>JEEP</b>                |             |              |             |             |
| Cherokee ('85-'01)         | Cone        | 2            | A           | 5x4.5"      |
| CJ 5 & 7 (To-'86)          | Cone        | 3            | B           | 5x5.5"      |
| Comanche (To-'00)          | Cone        | 2            | A           | 5x4.5"      |
| Commander ('06-On)         | 71.5mm      | 2            | A           | 5x5"        |
| Compass ('07-On)           | 67mm        | 2            | A           | 5x4.5"      |
| DJ Dispatcher (To-'84)     | Cone        | 3            | B           | 5x5.5"      |
| Grand Cherokee ('93-'98)   | Cone        | 2            | A           | 5x4.5"      |
| Grand Cherokee ('99-On)    | 71.5mm      | 2            | A           | 5x5"        |
| Grand Wagoneer ('84-'92)   | 108mm       | 4            | B           | 6x5.5"      |
| Honcho J-10 (To-'87)       | Cone        | 4            | B           | 6x5.5"      |
| Honcho J-20 (To-'87)       | Cone        | 1            | B           | 8x6.5"      |
| Liberty ('02-On)           | 71.5mm      | 2            | A           | 5x4.5"      |
| Patriot ('07-On)           | 67mm        | 2            | A           | 5x4.5"      |
| Scrambler ('83-'85)        | Cone        | 3            | B           | 5x5.5"      |
| <i>Continued next page</i> |             |              |             |             |

|                              | OEM Collet™ | CenTor Plate | CenTor Stud | Bolt Circle |
|------------------------------|-------------|--------------|-------------|-------------|
| <b>JEEP</b> <i>Continued</i> |             |              |             |             |
| Wagoneer (To-'92)            | Cone        | 2            | A           | 5x4.5"      |
| Wrangler ('87-97)            | Cone        | 2            | A           | 5x4.5"      |
| Wrangler ('98-'06)           | 71.5mm      | 2            | A           | 5x4.5"      |
| Wrangler ('07-On)            | 71.5mm      | 2            | A           | 5x5"        |
| <b>KIA</b>                   |             |              |             |             |
| Amanti ('04-On)              | 67mm        | 2            | A           | 5x4.5"      |
| Borrego ('09-On)             | 67mm        | 4            | A           | 6x4.5"      |
| Forté ('10-On)               | 67mm        | 2            | A           | 5x4.5"      |
| Koup ('10-On)                | 67mm        | 2            | A           | 5x4.5"      |
| Magentis ('03-'06)           | 67mm        | 1            | A           | 4x4.5"      |
| Magentis ('07-On)            | 67mm        | 2            | A           | 5x4.5"      |
| Optima ('01-'06)             | 67mm        | 1            | A           | 4x4.5"      |
| Optima ('07-On)              | 67mm        | 2            | A           | 5x4.5"      |
| Rio ('01-On)                 | 54mm        | 1            | A           | 4x100       |
| Rondo ('07-On)               | 56mm        | 1            | A           | 4x100       |
| Sedona ('02-'06)             | 67mm        | 2            | A           | 5x4.5"      |
| Sedona ('07-On)              | 93mm        | 4            | A           | 6x5.5"      |
| Sephia ('94-'03)             | 56mm        | 1            | A           | 4x100       |
| Sorento ('03-On)             | 95.4mm      | 3            | A           | 5x5.5"      |
| Soul ('10-On)                | 67mm        | 2            | A           | 5x4.5"      |
| Spectra ('00-'04)            | 56mm        | 1            | A           | 4x100       |
| Spectra ('05-On)             | 67mm        | 1            | A           | 4x4.5"      |
| Sportage ('95-'03)           | 95.4mm      | 3            | A           | 5x5.5"      |
| Sportage ('05-On)            | 67mm        | 2            | A           | 5x4.5"      |
| <b>LAMBORGHINI</b>           |             |              |             |             |
| All Models                   | 70mm        | 2            | A           | 5x120       |
| Gallardo ('04-On)            | 57mm        | 3            | C           | 5x112       |
| <b>LAND ROVER</b>            |             |              |             |             |
| Defender ('92-'98)           | Cone        | 3            | D           | 5x6.5"      |
| Discovery (To-'98)           | 70mm        | 3            | D           | 5x6.5"      |
| Discovery II ('99-'04)       | 72.5mm      | 2            | C           | 5x120       |
| Freelander ('02-'05)         | 64mm        | 2            | C           | 5x4.5"      |
| LR2 ('08-On)                 | 63.3mm      | 3            | C           | 5x4.25"     |

|                                    | OEM Collet™ | CenTor Plate | CenTor Stud | Bolt Circle |
|------------------------------------|-------------|--------------|-------------|-------------|
| <b>LAND ROVER</b> <i>Continued</i> |             |              |             |             |
| LR3 ('05-On)                       | 72.5mm      | 2            | C           | 5x120       |
| Range Rover (To-'94)               | 70mm        | 3            | D           | 5x6.5"      |
| Range Rover ('95-On)               | 72.5mm      | 2            | C           | 5x120       |
| Range Rover Sport ('06-On)         | 72.5mm      | 2            | C           | 5x120       |
| <b>LEXUS</b>                       |             |              |             |             |
| ES250 ('90-'91)                    | 54mm        | 2            | A           | 5x100       |
| ES Series ('92-On)                 | 60mm        | 2            | A           | 5x4.5"      |
| GS Series ('93-On)                 | 60mm        | 2            | A           | 5x4.5"      |
| GX470 ('03-On)                     | 108mm       | 4            | A           | 6x5.5"      |
| IS Series ('01-On)                 | 60mm        | 2            | A           | 5x4.5"      |
| LS Series ('90-'06)                | 60mm        | 2            | A           | 5x4.5"      |
| LS Series ('07-On)                 | 60mm        | 2            | C           | 5x120       |
| LX450 ('96-'97)                    | 106mm       | 4            | A           | 6x5.5"      |
| LX470 ('98-'07)                    | 110mm       | 2            | A           | 5x150       |
| LX570 ('08-On)                     | 110mm       | 2            | A           | 5x150       |
| RX Series ('99-On)                 | 60mm        | 2            | A           | 5x4.5"      |
| SC Series ('92-On)                 | 60mm        | 2            | A           | 5x4.5"      |
| <b>LINCOLN</b>                     |             |              |             |             |
| Aviator ('03-'05)                  | 70.5mm      | 2            | A           | 5x4.5"      |
| Blackwood (2002)                   | 87mm        | 4            | A           | 6x135       |
| Continental (To-'88)               | Cone        | 3            | A           | 5x4.25"     |
| Continental ('89-'02)              | 63.3mm      | 3            | A           | 5x4.25"     |
| LS ('00-'06)                       | 63.3mm      | 3            | A           | 5x4.25"     |
| Mark LT ('06-On)                   | 87mm        | 4            | A           | 6x135       |
| Mark VII ('84-'92)                 | Cone        | 2            | A           | 5x4.5"      |
| Mark VIII ('93-'98)                | 63.3mm      | 3            | A           | 5x4.25"     |
| MKX ('07-On)                       | 70.5mm      | 2            | A           | 5x4.5"      |
| MKS ('09-On)                       | 63.3mm      | 2            | A           | 5x4.5"      |
| MKZ Zephyr ('07-On)                | 67mm        | 2            | A           | 5x4.5"      |
| Navigator ('97-'00)                | 87mm        | 2            | A           | 5x135       |
| Navigator ('01-On)                 | 87mm        | 4            | A           | 6x135       |
| Town Car (To-'97)                  | Cone        | 2            | A           | 5x4.5"      |
| Town Car ('98-On)                  | 70.5mm      | 2            | A           | 5x4.5"      |

|                                 | OEM Collet™ | CenTor Plate | CenTor Stud | Bolt Circle |
|---------------------------------|-------------|--------------|-------------|-------------|
| <b>LINCOLN</b> <i>Continued</i> |             |              |             |             |
| Zephyr (2006)                   | 70.5mm      | 2            | A           | 5x4.5"      |
| <b>LOTUS</b>                    |             |              |             |             |
| Elan ('91-'94)                  | Cone        | 1            | A           | 4x100       |
| Elise ('05-On)                  |             | 1            | A           | 4x100       |
| Excel ('82-'92)                 | Cone        | 1            | A           | 4x100       |
| Esprit (To-'87)                 | Cone        | 1            | A           | 4x100       |
| Esprit Turbo ('81-'95)          | Cone        | 2            | A           | 5x120       |
| Esprit V8 Turbo ('96-'04)       |             | 2            | A           | 5x120       |
| Exige ('06-On)                  |             | 1            | A           | 4x100       |
| <b>MASERATI</b>                 |             |              |             |             |
| Coupé ('02-'06)                 | 67mm        | 3            | A           | 5x4.25"     |
| GranSport ('05-'06)             |             |              |             |             |
| GranTurismo ('08-On)            | 67mm        | 2            | A           | 5x4.5"      |
| Spyder ('02-'05)                | 67mm        | 3            | A           | 5x4.25"     |
| Quattroporte ('05-On)           | 67mm        | 2            | A           | 5x4.5"      |
| <b>MAYBACH</b>                  |             |              |             |             |
| All Models                      | 66.5mm      | 3            | C           | 5x112       |
| <b>MAZDA</b>                    |             |              |             |             |
| 323 (To-'89)                    | 59.5mm      | 1            | A           | 4x4.5"      |
| 323 ('90-'96)                   | 54mm        | 1            | A           | 4x100       |
| 626 (To-'87)                    | 59.5mm      | 1            | A           | 4x4.5"      |
| 626 ('88-'92)                   | 59.5mm      | 2            | A           | 5x4.5"      |
| 626 ('93-'02)                   | 67mm        | 2            | A           | 5x4.5"      |
| 929 ('88-'96)                   | 67mm        | 2            | A           | 5x4.5"      |
| B Series Pickup (To-'94)        | 108mm       | 4            | A           | 6x5.5"      |
| B Series Pickup ('95-On)        | 70.5mm      | 2            | A           | 5x4.5"      |
| GLC (To-'81)                    | 54mm        | 1            | A           | 4x100       |
| GLC ('82-'86)                   | 59.5mm      | 1            | A           | 4x4.5"      |
| CX-7 ('07-On)                   | 67mm        | 2            | A           | 5x4.5"      |
| CX-9 ('07-On)                   | 67mm        | 2            | A           | 5x4.5"      |
| Mazda3 ('04-On)                 | 67mm        | 2            | A           | 5x4.5"      |
| Mazda5 ('06-On)                 | 67mm        | 2            | A           | 5x4.5"      |
| <i>Continued back page</i>      |             |              |             |             |

|                                    | OEM Collet™ | CenTor Plate | CenTor Stud | Bolt Circle |
|------------------------------------|-------------|--------------|-------------|-------------|
| <b>MAZDA</b> <i>Continued</i>      |             |              |             |             |
| <b>Mazda6</b> ('03-On)             | 67mm        | 2            | A           | 5x4.5"      |
| <b>Miata</b> ('94-'05)             | 54mm        | 1            | A           | 4x100       |
| <b>Millenia</b> ('97-'03)          | 67mm        | 2            | A           | 5x4.5"      |
| <b>MPV</b> ('88-'01)               | 67mm        | 2            | A           | 5x4.5"      |
| <b>MX-3</b> ('92-'96)              | 54mm        | 1            | A           | 4x100       |
| <b>MX-5</b> <i>Miata</i> ('06-On)  | 67mm        | 2            | A           | 5x4.5"      |
| <b>MX-6</b> ('88-'92)              | Cone        | 2            | A           | 5x4.5"      |
| <b>MX-6</b> ('93-'97)              | 67mm        | 2            | A           | 5x4.5"      |
| <b>Navajo</b> ('91-'95)            | 67mm        | 2            | A           | 5x4.5"      |
| <b>Protegé 4 Lug</b> ('96-'03)     | 54mm        | 1            | A           | 4x100       |
| <b>Protegé 5 Lug</b> ('02-'05)     | 67mm        | 2            | A           | 5x4.5"      |
| <b>Protegé5</b> ('02-'05)          | 67mm        | 2            | A           | 5x4.5"      |
| <b>RX-7</b> (To-'88)               | 59.5mm      | 1            | A           | 4x4.5"      |
| <b>RX-7 Turbo</b> ('86-'92)        | 67mm        | 2            | A           | 5x4.5"      |
| <b>RX-7 Turbo</b> ('93-'96)        | 67mm        | 2            | A           | 5x4.5"      |
| <b>RX-8</b> ('04-On)               | 67mm        | 2            | A           | 5x4.5"      |
| <b>Tribute</b> ('01-On)            | 67mm        | 2            | A           | 5x4.5"      |
| <b>MERCEDES</b>                    |             |              |             |             |
| <b>All Models</b> <i>Except GL</i> | 66.5mm      | 3            | C           | 5x112       |
| <b>GL</b> <i>Class</i>             | 84mm        | 3            | C           | 5x130       |
| <b>MERCURY</b>                     |             |              |             |             |
| <b>Capri</b> (To-'90)              | Cone        | 1            | A           | 4x4.25"     |
| <b>Capri</b> ('91-'94)             | Cone        | 1            | A           | 4x4.25"     |
| <b>Cougar</b> ('80-'88)            | Cone        | 1            | A           | 4x4.25"     |
| <b>Cougar</b> ('89-'97)            | Cone        | 3            | A           | 5x4.25"     |
| <b>Cougar</b> ('99-'02)            | 63.3mm      | 1            | A           | 4x4.25"     |
| <b>Grand Marquis</b> (To-'96)      | Cone        | 2            | A           | 5x4.5"      |
| <b>Grand Marquis</b> ('97-On)      | 70.5mm      | 2            | A           | 5x4.5"      |
| <b>LN7</b> ('82-'85)               | Cone        | 1            | A           | 4x4.25"     |
| <b>Lynx</b> ('86-'90)              | Cone        | 1            | A           | 4x4.25"     |
| <b>Marauder</b> ('03-'05)          | 70.5mm      | 2            | A           | 5x4.5"      |
| <b>Marquis</b> ('83-'86)           | Cone        | 1            | A           | 4x4.25"     |
| <b>Mariner</b> ('05-On)            | 67mm        | 2            | A           | 5x4.5"      |

|                                  | OEM Collet™ | CenTor Plate | CenTor Stud | Bolt Circle |
|----------------------------------|-------------|--------------|-------------|-------------|
| <b>MERCURY</b> <i>Continued</i>  |             |              |             |             |
| <b>Milan</b> ('06-On)            | 63.3mm      | 2            | A           | 5x4.5"      |
| <b>Montego</b> ('05-'07)         | 63.3mm      | 2            | A           | 5x4.5"      |
| <b>Monterey</b> ('04-'07)        | 63.3mm      | 2            | A           | 5x4.5"      |
| <b>Mountaineer</b> ('97-On)      | 70.5mm      | 2            | A           | 5x4.5"      |
| <b>Mystique</b> ('95-'00)        | 63.3mm      | 1            | A           | 4x4.25"     |
| <b>Sable</b> ('86-'95)           | Cone        | 3            | A           | 5x4.25"     |
| <b>Sable</b> ('96-'05)           | 63.3mm      | 3            | A           | 5x4.25"     |
| <b>Sable</b> ('08-On)            | 63.3mm      | 2            | A           | 5x4.5"      |
| <b>Topaz</b> ('84-'94)           | Cone        | 1            | A           | 4x4.25"     |
| <b>Tracer</b> ('86-'90)          | Cone        | 1            | A           | 4x4.5"      |
| <b>Tracer</b> ('91-'99)          | 54mm        | 1            | A           | 4x100       |
| <b>Villager</b> ('97-'02)        | 66mm        | 2            | A           | 5x4.5"      |
| <b>Zephyr</b> (To-'83)           | Cone        | 1            | A           | 4x4.25"     |
| <b>MINI</b>                      |             |              |             |             |
| <b>Mini Cooper</b> ('02-On)      | 56mm        | 1            | A           | 4x100       |
| <b>Clubman</b> ('08-On)          | 56mm        | 1            | A           | 4x100       |
| <b>MITSUBISHI</b>                |             |              |             |             |
| <b>3000GT</b> ('91-'99)          | 67mm        | 2            | A           | 5x4.5"      |
| <b>Cordia</b> ('82-'90)          | 67mm        | 1            | A           | 4x4.5"      |
| <b>Diamante</b> ('94-'05)        | 67mm        | 2            | A           | 5x4.5"      |
| <b>Eclipse</b> ('95-On)          | 67mm        | 2            | A           | 5x4.5"      |
| <b>Endeavor</b> ('04-On)         | 67mm        | 2            | A           | 5x4.5"      |
| <b>Galant</b> (To-'98)           | 67mm        | 1            | A           | 4x4.5"      |
| <b>Galant</b> ('99-On)           | 67mm        | 2            | A           | 5x4.5"      |
| <b>Lancer</b> ('93-'07)          | 67mm        | 1            | A           | 4x4.5"      |
| <b>Lancer</b> ('08-On)           | 67mm        | 2            | A           | 5x4.5"      |
| <b>Lancer Evolution</b> ('03-On) | 67mm        | 2            | A           | 5x4.5"      |
| <b>Mighty Max</b> ('82-'96)      | 108mm       | 4            | A           | 6x5.5"      |
| <b>Mirage</b> (To-'92)           | 67mm        | 1            | A           | 4x4.5"      |
| <b>Mirage</b> ('93-'03)          | 56mm        | 1            | A           | 4x100       |
| <b>Montero</b> (To-'06)          | 108mm       | 4            | A           | 6x5.5"      |
| <b>Outlander</b> ('03-On)        | 67mm        | 2            | A           | 5x4.5"      |
| <b>Precis</b> ('87-'94)          | Cone        | 1            | A           | 4x4.5"      |

|                                    | OEM Collet™ | CenTor Plate | CenTor Stud | Bolt Circle |
|------------------------------------|-------------|--------------|-------------|-------------|
| <b>MITSUBISHI</b> <i>Continued</i> |             |              |             |             |
| <b>Raider</b> ('06-On)             | 78mm        | 3            | A           | 5x5.5"      |
| <b>Starion</b> ('82-'90)           | 67mm        | 1            | A           | 4x4.5"      |
| <b>Tredia</b> ('82-'90)            | 67mm        | 1            | A           | 4x4.5"      |
| <b>NISSAN</b>                      |             |              |             |             |
| <b>200SE</b> (1988)                | 66mm        | 2            | A           | 5x4.5"      |
| <b>200SX</b> (To-'94)              | Cone        | 1            | A           | 4x4.5"      |
| <b>200SX</b> ('95-'98)             | 66mm        | 1            | A           | 4x100       |
| <b>240SX</b> (To-'94)              | 66mm        | 1            | A           | 4x4.5"      |
| <b>240SX</b> ('95-'98)             | 66mm        | 2            | A           | 5x4.5"      |
| <b>240Z</b> ('69-'73)              | Cone        | 1            | A           | 4x4.5"      |
| <b>260Z</b> (1974)                 | Cone        | 1            | A           | 4x4.5"      |
| <b>280Z</b> ('75-'79)              | Cone        | 1            | A           | 4x4.5"      |
| <b>280ZX</b> ('79-'84)             | Cone        | 1            | A           | 4x4.5"      |
| <b>300ZX</b> 4 Lug ('85-'89)       | 66mm        | 1            | A           | 4x4.5"      |
| <b>300ZX</b> 5 Lug ('90-'96)       | 66mm        | 2            | A           | 5x4.5"      |
| <b>350Z</b> ('03-'08)              | 66mm        | 2            | A           | 5x4.5"      |
| <b>370Z</b> ('09-On)               | 66mm        | 2            | A           | 5x4.5"      |
| <b>Altima</b> (To-'91)             | Cone        | 1            | A           | 4x4.5"      |
| <b>Altima</b> ('92-On)             | 66mm        | 2            | A           | 5x4.5"      |
| <b>Armana</b> ('04-On)             | 77.8mm      | 4            | A           | 6x5.5"      |
| <b>Axxess</b> ('90-'95)            | 66mm        | 1            | A           | 4x4.5"      |
| <b>Cube</b> ('09-On)               | 66mm        | 1            | A           | 4x4.5"      |
| <b>Frontier</b> ('98-'04)          | 100mm       | 4            | A           | 6x5.5"      |
| <b>Frontier</b> ('05-On)           | 66mm        | 4            | A           | 6x4.5"      |
| <b>GT-R</b> ('09-On)               | 66mm        | 2            | A           | 5x4.5"      |
| <b>Hard Body</b> ('86-'97)         | 100mm       | 4            | A           | 6x5.5"      |
| <b>Maxima</b> (To-'88)             | 66mm        | 1            | A           | 4x4.5"      |
| <b>Maxima</b> ('89-On)             | 66mm        | 2            | A           | 5x4.5"      |
| <b>Murano</b> ('03-On)             | 66mm        | 2            | A           | 5x4.5"      |
| <b>NX-1600</b> ('92-'94)           | 59mm        | 1            | A           | 4x100       |
| <b>NX-2000</b> ('92-'94)           | 59mm        | 1            | A           | 4x100       |
| <b>Pulsar</b> (To-'86)             | Cone        | 1            | A           | 4x4.5"      |
| <i>Continued next page</i>         |             |              |             |             |



|                                 | OEM Collet™ | CenTor Plate | CenTor Stud | Bolt Circle |
|---------------------------------|-------------|--------------|-------------|-------------|
| <b>NISSAN</b> <i>Continued</i>  |             |              |             |             |
| <b>Pulsar</b> ('87-'05)         | 59mm        | 1            | A           | 4x100       |
| <b>Pathfinder</b> ('86-'04)     | 100mm       | 4            | A           | 6x5.5"      |
| <b>Pathfinder</b> ('05-On)      | 66mm        | 4            | A           | 6x4.5"      |
| <b>Quest</b> ('99-On)           | 66mm        | 2            | A           | 5x4.5"      |
| <b>Rogue</b> ('08-On)           | 66mm        | 2            | A           | 5x4.5"      |
| <b>Sentra</b> (To-'86)          | Cone        | 1            | A           | 4x4.5"      |
| <b>Sentra</b> ('87-'99)         | 59mm        | 1            | A           | 4x100       |
| <b>Sentra</b> ('00-On)          | 66mm        | 1            | A           | 4x4.5"      |
| <b>Skyline</b> ('89-'94)        | 66mm        | 2            | A           | 5x4.5"      |
| <b>Stanza</b> (To-'92)          | 66mm        | 2            | A           | 5x4.5"      |
| <b>Titan</b> ('04-On)           | 77.8mm      | 4            | A           | 6x5.5"      |
| <b>Versa</b> ('07-On)           | 66mm        | 1            | A           | 4x4.5"      |
| <b>Xtrail</b> ('04-'06)         | 66mm        | 2            | A           | 5x4.5"      |
| <b>Xterra</b> ('00-'04)         | 100mm       | 4            | A           | 6x5.5"      |
| <b>Xterra</b> ('05-On)          | 66mm        | 4            | A           | 6x4.5"      |
| <b>OLDSMOBILE</b>               |             |              |             |             |
| <b>88 FWD</b> ('86-'03)         | Cone        | 3            | A           | 5x115       |
| <b>88 RWD</b> (To-'85)          | Cone        | 2            | A           | 5x5"        |
| <b>98 FWD</b> ('85-'96)         | Cone        | 3            | A           | 5x115       |
| <b>98 RWD</b> (To-'84)          | Cone        | 2            | A           | 5x5"        |
| <b>Achieva</b> ('92-'98)        | 57mm        | 2            | A           | 5x100       |
| <b>Alero</b> ('99-'04)          | 70.2mm      | 3            | A           | 5x115       |
| <b>Aurora</b> ('95-'03)         | 70.2mm      | 3            | A           | 5x115       |
| <b>Bravada</b> ('91-'01)        | 70.2mm      | 3            | A           | 5x4.75"     |
| <b>Bravada</b> ('02-'04)        | 78mm        | 4            | A           | 6x5"        |
| <b>Cutlass Calais</b> ('85-'91) | Cone        | 2            | A           | 5x100       |
| <b>Cutlass Ciera</b> 13" Wheel  | Cone        | 2            | A           | 5x100       |
| <b>Cutlass Ciera</b> 14" Wheel  | Cone        | 3            | A           | 5x115       |
| <b>Cutlass Supreme</b> RWD      | Cone        | 3            | A           | 5x4.75"     |
| <b>Cutlass Supreme</b> FWD      | 70.2mm      | 3            | A           | 5x115       |
| <b>Firenza</b> ('82-'88)        | Cone        | 2            | A           | 5x100       |
| <b>Intrigue</b> ('98-'03)       | 70.2mm      | 3            | A           | 5x115       |
| <b>Omega</b> ('73-'84)          | Cone        | 2            | A           | 5x100       |

|                                    | OEM Collet™ | CenTor Plate | CenTor Stud | Bolt Circle |
|------------------------------------|-------------|--------------|-------------|-------------|
| <b>OLDSMOBILE</b> <i>Continued</i> |             |              |             |             |
| <b>Regency</b> ('97-'99)           | 70.2mm      | 3            | A           | 5x115       |
| <b>Silhouette</b> ('90-'04)        | 70.2mm      | 3            | A           | 5x115       |
| <b>Toronado</b> RWD                | Cone        | 3            | A           | 5x4.75"     |
| <b>Toronado</b> FWD                | 70.2mm      | 3            | A           | 5x115       |
| <b>PEUGEOT</b>                     |             |              |             |             |
| <b>All Models</b>                  | 65mm        | 1            | A           | 4x4.25"     |
| <b>PLYMOUTH</b>                    |             |              |             |             |
| <b>Acclaim</b> ('89-'95)           | Cone        | 2            | A           | 5x100       |
| <b>Breeze</b> ('96-'00)            | 57mm        | 2            | A           | 5x100       |
| <b>Caravelle</b> ('83-'88)         | Cone        | 2            | A           | 5x100       |
| <b>Colt</b> ('83-'94)              | 67mm        | 1            | A           | 4x4.5"      |
| <b>Conquest</b> ('84-'86)          | 67mm        | 1            | A           | 4x4.5"      |
| <b>Gran Fury</b> ('82-'89)         | Cone        | 2            | A           | 5x100       |
| <b>Horizon</b> ('78-'90)           | Cone        | 1            | A           | 4x100       |
| <b>Lazer</b> ('90-'94)             | 67mm        | 2            | A           | 5x4.5"      |
| <b>Neon 4 Lug</b> ('95-'01)        | 57mm        | 1            | A           | 4x100       |
| <b>Neon 5 Lug</b> ('95-'01)        | 57mm        | 2            | A           | 5x100       |
| <b>Prowler</b> ('97-'01)           | 71.5mm      | 2            | A           | 5x4.5"      |
| <b>Reliant</b> ('81-'85)           | Cone        | 1            | A           | 4x100       |
| <b>Reliant</b> ('86-'89)           | Cone        | 2            | A           | 5x100       |
| <b>Sapporo</b> ('76-'83)           | Cone        | 1            | A           | 4x4.5"      |
| <b>Scamp</b> (1983)                | Cone        | 2            | A           | 5x4.5"      |
| <b>Sundance</b> ('87-'94)          | 57mm        | 2            | A           | 5x100       |
| <b>Tourismo</b> ('83-'87)          | Cone        | 1            | A           | 4x100       |
| <b>Trailduster</b> ('74-'81)       | Cone        | 3            | A           | 5x5.5"      |
| <b>Voyager</b> ('74-'83)           | Cone        | 1            | A           | 4x100       |
| <b>Voyager</b> SWB ('84-'95)       | Cone        | 2            | A           | 5x100       |
| <b>Voyager</b> LWB ('92-'95)       | Cone        | 2            | A           | 5x4.5"      |
| <b>Voyager 4-Cyl.</b> ('96-'00)    | 57mm        | 2            | A           | 5x100       |
| <b>Voyager V6</b> ('96-'00)        | 71.5mm      | 2            | A           | 5x4.5"      |
|                                    |             |              |             |             |
|                                    |             |              |             |             |
|                                    |             |              |             |             |

|                              | OEM Collet™ | CenTor Plate | CenTor Stud | Bolt Circle |
|------------------------------|-------------|--------------|-------------|-------------|
| <b>PONTIAC</b>               |             |              |             |             |
| <b>1000</b> ('80-'87)        | Cone        | 1            | A           | 4x100       |
| <b>2000</b> ('82-'93)        | Cone        | 2            | A           | 5x100       |
| <b>6000</b> ('82-'91)        | 70.2mm      | 3            | A           | 5x115       |
| <b>Aztec</b> ('01-'05)       | 70.2mm      | 3            | A           | 5x115       |
| <b>Bonneville</b> (To-'86)   | Cone        | 3            | A           | 5x4.75"     |
| <b>Bonneville</b> ('87-'05)  | 70.2mm      | 3            | A           | 5x115       |
| <b>Bonneville 403 Engine</b> | Cone        | 2            | A           | 5x5"        |
| <b>Catalina</b> ('77-'81)    | Cone        | 3            | A           | 5x4.75"     |
| <b>Catalina 403 Engine</b>   | Cone        | 2            | A           | 5x5"        |
| <b>Fiero</b> ('84-'88)       | Cone        | 2            | A           | 5x100       |
| <b>Firebird</b> ('70-'92)    | Cone        | 3            | A           | 5x4.75"     |
| <b>Firebird</b> ('93-'02)    | Cone        | 3            | A           | 5x4.75"     |
| <b>G3 Wave</b> ('05-On)      | 56.5mm      | 1            | A           | 4x100       |
| <b>G5 15" Wheel</b> ('07-On) | 56.5mm      | 1            | A           | 4x100       |
| <b>G5</b> ('07-On)           | 65mm        | 2            | A           | 5x110       |
| <b>G6</b> ('05-On)           | 65mm        | 2            | A           | 5x110       |
| <b>G8</b> ('08-On)           | 67mm        | 2            | C           | 5x120       |
| <b>Grand Am</b> (To-'81)     | Cone        | 3            | A           | 5x4.75"     |
| <b>Grand Am</b> ('85-'96)    | Cone        | 2            | A           | 5x100       |
| <b>Grand Am</b> ('97-'05)    | 70.2mm      | 3            | A           | 5x115       |
| <b>Grand Prix</b> (To-'87)   | Cone        | 3            | A           | 5x4.75"     |
| <b>Grand Prix</b> ('88-On)   | 70.2mm      | 3            | A           | 5x115       |
| <b>GTO</b> (To-'81)          | Cone        | 3            | A           | 5x4.75"     |
| <b>GTO</b> ('04-'06)         | 70.2mm      | 3            | A           | 5x4.75"     |
| <b>LeMans</b> (To-'81)       | Cone        | 3            | A           | 5x4.75"     |
| <b>LeMans</b> ('88-'93)      | Cone        | 1            | A           | 4x100       |
| <b>Montana</b> ('99-'06)     | 70.2mm      | 3            | A           | 5x115       |
| <b>Montana</b> ('07-'08)     | 70.2mm      | 4            | A           | 6x115       |
| <b>Phoenix</b> ('77-'79)     | Cone        | 3            | A           | 5x4.75"     |
| <b>Phoenix</b> ('80-'84)     | Cone        | 2            | A           | 5x100       |
| <b>Solstice</b> ('06-On)     | 65mm        | 2            | A           | 5x110       |
| <b>Sunbird</b> ('76-'80)     | Cone        | 3            | A           | 5x4.75"     |
| <i>Continued back page</i>   |             |              |             |             |

|                              | OEM Collet™ | CenTor Plate | CenTor Stud | Bolt Circle |
|------------------------------|-------------|--------------|-------------|-------------|
| <b>PONTIAC</b>               |             |              |             |             |
| Sunbird ('82-'94)            | Cone        | 2            | A           | 5x100       |
| Sunfire ('95-'05)            | 57mm        | 2            | A           | 5x100       |
| Trans Am ('93-'02)           | Cone        | 3            | A           | 5x4.75"     |
| Torrent ('06-On)             | 70.2mm      | 3            | A           | 5x115       |
| TranSport ('90-'98)          | 70.2mm      | 3            | A           | 5x115       |
| Vibe ('02-On)                | 54mm        | 2            | A           | 5x100       |
| <b>PORSCHE</b>               |             |              |             |             |
| 924                          | 57mm        | 1            | C           | 4x4.25"     |
| All Models <i>Except 924</i> | 71.5mm      | 3            | C           | 5x130       |
| <b>RENAULT</b>               |             |              |             |             |
| All Models                   | Cone        | 1            | A           | 4x100       |
| <b>ROLLS-ROYCE</b>           |             |              |             |             |
| Corniche ('00-'02)           | 72.5mm      | 2            | A           | 5x120       |
| Phantom ('03-On)             | 72.5mm      | 2            | A           | 5x120       |
| Silver Seraph ('98-'02)      | 72.5mm      | 2            | A           | 5x120       |
| <b>SAAB</b>                  |             |              |             |             |
| 9.2 ('04-'06)                | 56mm        | 2            | A           | 5x100       |
| 9.3 ('99-On)                 | 65mm        | 2            | A           | 5x110       |
| 9.5 ('99-On)                 | 65mm        | 2            | A           | 5x110       |
| 9.7X ('05-On)                | 78mm        | 4            | A           | 6x5"        |
| 90 ('84-'87)                 | Cone        | 1            | A           | 4x4.5"      |
| 99 ('68-'84)                 | Cone        | 1            | A           | 4x4.5"      |
| 900 (To-'87)                 | Cone        | 1            | A           | 4x4.5"      |
| 900 ('88-'93)                | 65mm        | 1            | A           | 4x4.25"     |
| 900 ('94-'98)                | 65mm        | 2            | A           | 5x110       |
| 9000 ('85-'98)               | 65mm        | 1            | A           | 4x4.25"     |
| <b>SATURN</b>                |             |              |             |             |
| Astra ('08-On)               | 65mm        | 2            | A           | 5x110       |
| Aura ('07-On)                | 65mm        | 2            | A           | 5x110       |
| Ion ('03-'07)                | 57mm        | 1            | A           | 4x100       |
| Ion Redline ('05-'07)        | 65mm        | 2            | A           | 5x110       |
| L ('02-'05)                  | 65mm        | 2            | A           | 5x110       |
| LS ('00-'01)                 | 65mm        | 2            | A           | 5x110       |

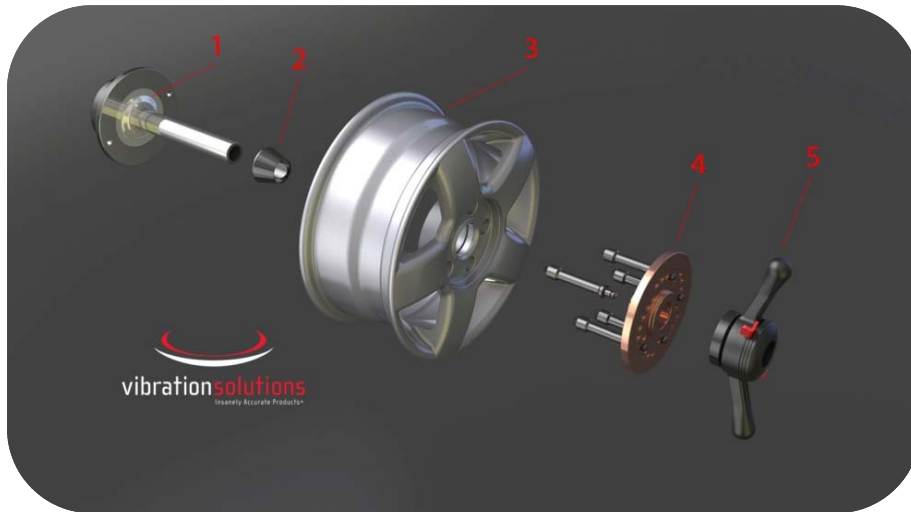
|                                | OEM Collet™ | CenTor Plate | CenTor Stud | Bolt Circle |
|--------------------------------|-------------|--------------|-------------|-------------|
| <b>SATURN</b> <i>Continued</i> |             |              |             |             |
| LW ('00-'03)                   | 65mm        | 2            | A           | 5x110       |
| Outlook ('07-On)               | 74.5mm      | 4            | A           | 6x132       |
| Relay ('05-'07)                | 70.2mm      | 4            | A           | 6x115       |
| SC ('91-'02)                   | 57mm        | 1            | A           | 4x100       |
| Sky ('07-On)                   | 65mm        | 2            | A           | 5x110       |
| SL ('91-'02)                   | 57mm        | 1            | A           | 4x100       |
| SW ('93-'01)                   | 57mm        | 1            | A           | 4x100       |
| Vue ('03-On)                   | 70.2mm      | 3            | A           | 5x115       |
| <b>SCION</b>                   |             |              |             |             |
| tC ('05-On)                    | 54mm        | 2            | A           | 5x100       |
| xA ('04-'06)                   | 54mm        | 1            | A           | 4x100       |
| xB ('04-'07)                   | 54mm        | 1            | A           | 4x100       |
| xB ('08-On)                    | 60mm        | 2            | A           | 5x4.5"      |
| xD ('08-On)                    | 54mm        | 2            | A           | 5x100       |
| <b>SUBARU</b>                  |             |              |             |             |
| Baja ('03-'05)                 | 56mm        | 2            | A           | 5x100       |
| Forester ('98-On)              | 56mm        | 2            | A           | 5x100       |
| Impreza ('93-'07)              | 56mm        | 2            | A           | 5x100       |
| Impreza WRX ('02-On)           | 56mm        | 2            | A           | 5x100       |
| Impreza WRX STI ('04)          | 56mm        | 2            | A           | 5x100       |
| Impreza WRX STI ('05-On)       | 56mm        | 2            | A           | 5x4.5"      |
| Justy ('84-'94)                | 56mm        | 1            | A           | 4x100       |
| Legacy ('94-On)                | 56mm        | 2            | A           | 5x100       |
| Outback ('94-On)               | 56mm        | 2            | A           | 5x100       |
| SVX ('92-'97)                  | 56mm        | 2            | A           | 5x4.5"      |
| Tribeca B9 ('05-On)            | 56mm        | 2            | A           | 5x4.5"      |
| XT6 ('85-'91)                  | 56mm        | 2            | A           | 5x100       |
| <b>SUZUKI</b>                  |             |              |             |             |
| Aerio ('02-On)                 | 54mm        | 1            | A           | 4x100       |
| Equator ('09-On)               | 66mm        | 4            | A           | 6x4.5"      |
| Esteem ('99-'03)               | 56.5mm      | 1            | A           | 4x100       |
| Forenza ('04-'07)              | 56.5mm      | 1            | A           | 4x4.5"      |
| Grand Vitara ('99-'05)         | 108mm       | 3            | A           | 5x5.5"      |

|                                | OEM Collet™ | CenTor Plate | CenTor Stud | Bolt Circle |
|--------------------------------|-------------|--------------|-------------|-------------|
| <b>SUZUKI</b> <i>Continued</i> |             |              |             |             |
| Grand Vitara ('06-On)          | 60mm        | 2            | A           | 5x4.5"      |
| Reno ('05-On)                  | 56.5mm      | 1            | A           | 4x4.5"      |
| Samurai ('86-'95)              | 108mm       | 3            | A           | 5x5.5"      |
| Sidekick ('89-'98)             | 108mm       | 3            | A           | 5x5.5"      |
| Swift ('94-'03)                | 60mm        | 1            | A           | 4x4.5"      |
| SX4 ('06-On)                   | 60mm        | 2            | A           | 5x4.5"      |
| Verona ('04-'06)               | 56.5mm      | 1            | A           | 4x4.5"      |
| Vitara ('99-'04)               | 108mm       | 3            | A           | 5x5.5"      |
| X90 ('96-'98)                  | 108mm       | 3            | A           | 5x5.5"      |
| XL7 ('01-'06)                  | 108mm       | 3            | A           | 5x5.5"      |
| XL7 ('07-On)                   | 70.2mm      | 3            | A           | 5x115       |
| <b>TOYOTA</b>                  |             |              |             |             |
| 4Runner ('84-'94)              | 60mm        | 4            | A           | 6x5.5"      |
| 4Runner ('95-On)               | 106mm       | 4            | A           | 6x5.5"      |
| Avalon ('95-On)                | 60mm        | 2            | A           | 5x4.5"      |
| Camry (To-'91)                 | 54mm        | 2            | A           | 5x100       |
| Camry ('92-On)                 | 60mm        | 2            | A           | 5x4.5"      |
| Camry Solara ('99-On)          | 60mm        | 2            | A           | 5x4.5"      |
| Celica (To-'85)                | Cone        | 1            | A           | 4x4.5"      |
| Celica ('86-'91)               | 54mm        | 1            | A           | 4x100       |
| Celica ('92-'06)               | 54mm        | 2            | A           | 5x100       |
| Corolla (To-'84)               | Cone        | 1            | A           | 4x4.5"      |
| Corolla ('85-'01)              | 54mm        | 1            | A           | 4x100       |
| Corolla ('02-On)               | 54mm        | 2            | A           | 5x100       |
| Cressida (To-'88)              | Cone        | 1            | A           | 4x4.5"      |
| Cressida ('89-'92)             | 60mm        | 2            | A           | 5x4.5"      |
| Echo ('00-'05)                 | 54mm        | 1            | A           | 4x100       |
| FJ Cruiser ('07-On)            | 106mm       | 4            | A           | 6x5.5"      |
| Highlander ('02-On)            | 60mm        | 2            | A           | 5x4.5"      |
| Land Cruiser (To-'97)          | 106mm       | 4            | A           | 6x5.5"      |
| Land Cruiser ('98-On)          | 110mm       | 2            | A           | 5x150       |
| Matrix ('02-On)                | 54mm        | 2            | A           | 5x100       |
| <i>Continued next page</i>     |             |              |             |             |

|                                    | OEM Collet™ | CenTor Plate | CenTor Stud | Bolt Circle |
|------------------------------------|-------------|--------------|-------------|-------------|
| <b>TOYOTA</b> <i>Continued</i>     |             |              |             |             |
| <b>Matrix</b> ('09-On)             | 60mm        | 2            | A           | 5x4.5"      |
| <b>MR2</b> (To-'89)                | 54mm        | 1            | A           | 4x100       |
| <b>MR2</b> ('91-'95)               | 60mm        | 2            | A           | 5x4.5"      |
| <b>MR2 Spyder</b> ('00-'04)        | 54mm        | 1            | A           | 4x100       |
| <b>Paseo</b> ('95-'03)             | 54mm        | 1            | A           | 4x100       |
| <b>Pick-up 2WD</b> ('70-'94)       | Cone        | 2            | A           | 5x4.5"      |
| <b>Pick-up 4WD</b> ('87-'94)       | 106mm       | 4            | A           | 6x5.5"      |
| <b>Previa</b> ('91-'97)            | 60mm        | 2            | A           | 5x4.5"      |
| <b>Prius</b> ('01-'04)             | 54mm        | 1            | A           | 4x100       |
| <b>Prius</b> ('05-On)              | 54mm        | 2            | A           | 5x100       |
| <b>RAV4</b> ('96-On)               | 60mm        | 2            | A           | 5x4.5"      |
| <b>Sequoia</b> ('01-On)            | 106mm       | 4            | A           | 6x5.5"      |
| <b>Sienna</b> ('98-On)             | 60mm        | 2            | A           | 5x4.5"      |
| <b>Supra</b> (To-'85)              | Cone        | 1            | A           | 4x4.5"      |
| <b>Supra</b> ('86-'02)             | 60mm        | 2            | A           | 5x4.5"      |
| <b>T-100</b> ('95-'98)             | 106mm       | 4            | A           | 6x5.5"      |
| <b>Tercel</b> ('81-'99)            | 54mm        | 1            | A           | 4x100       |
| <b>Tacoma 2WD</b> ('95-On)         | 67mm        | 2            | A           | 5x4.5"      |
| <b>Tacoma 4WD</b> ('95-On)         | 106mm       | 4            | A           | 6x5.5"      |
| <b>Tacoma PreRunner</b> ('95-'03)  | 106mm       | 4            | A           | 6x5.5"      |
| <b>Tundra</b> ('00-'06)            | 108mm       | 4            | A           | 6x5.5"      |
| <b>Tundra</b> ('07-On)             | 110mm       | 2            | A           | 5x150       |
| <b>Venza</b> ('09-On)              | 60mm        | 2            | A           | 5x4.5"      |
| <b>Yaris</b> ('07-On)              | 54mm        | 1            | A           | 4x100       |
| <b>VOLKSWAGEN</b>                  |             |              |             |             |
| <b>Beetle</b> ('98-On)             | 57mm        | 2            | C           | 5x100       |
| <b>Bus</b>                         | 57mm        | 3            | C           | 5x112       |
| <b>Cabrio</b> ('95-'03)            | 57mm        | 1            | C           | 4x100       |
| <b>CC</b> <i>Passat</i> ('09-On)   | 57mm        | 3            | C           | 5x112       |
| <b>Corrado 4 Lug</b> ('90-'95)     | 57mm        | 1            | C           | 4x100       |
| <b>Corrado SLC 5 Lug</b> ('90-'95) | 57mm        | 2            | C           | 5x100       |
| <b>Dasher</b> (To-'81)             | Cone        | 1            | C           | 4x100       |
| <b>Eos</b> ('07-On)                | 57mm        | 3            | C           | 5x112       |

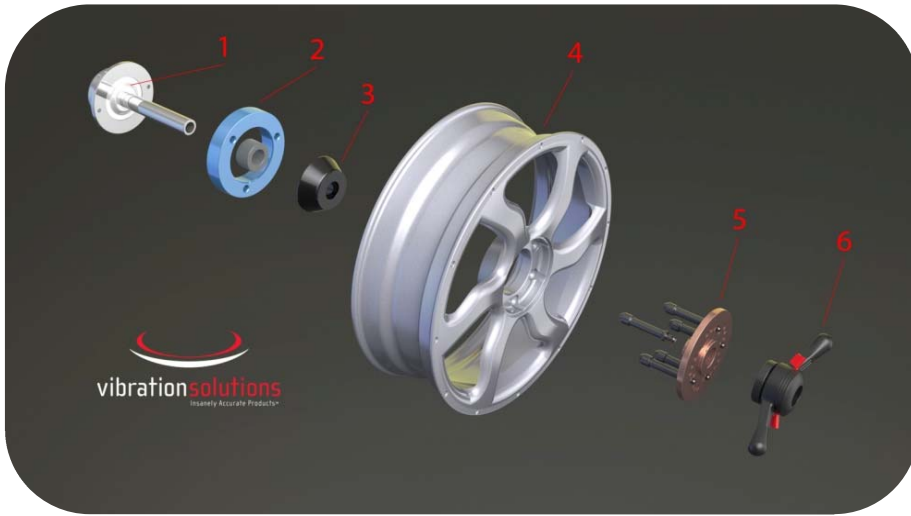
|  | OEM Collet™ | CenTor Plate | CenTor Stud | Bolt Circle |
|--|-------------|--------------|-------------|-------------|
| <b>VOLKSWAGEN</b> <i>Continued</i>       |             |              |             |             |
| <b>Eurovan</b> ('92-'03)                 | 57mm        | 3            | C           | 5x112       |
| <b>Fox</b> ('87-'93)                     | 57mm        | 1            | C           | 4x100       |
| <b>Golf / GTI II &amp; III</b> ('85-'92) | 57mm        | 1            | C           | 4x100       |
| <b>Golf / GTI III VR6</b> ('93-'99)      | 57mm        | 2            | C           | 5x100       |
| <b>Golf / GTI IV</b> ('99-'05)           | 57mm        | 2            | C           | 5x100       |
| <b>Golf / GTI V</b> ('06-On)             | 57mm        | 3            | C           | 5x112       |
| <b>Jetta I, II &amp; III</b> ('95-'99)   | 57mm        | 1            | C           | 4x100       |
| <b>Jetta III VR6</b> ('93-'99)           | 57mm        | 2            | C           | 5x100       |
| <b>Jetta IV</b> ('99-'05)                | 57mm        | 2            | C           | 5x100       |
| <b>Jetta V</b> ('06-On)                  | 57mm        | 3            | C           | 5x112       |
| <b>Passat 4 Cyl.</b> ('90-'97)           | 57mm        | 1            | C           | 4x100       |
| <b>Passat 6 Cyl.</b> ('92-'97)           | 57mm        | 2            | C           | 5x100       |
| <b>Passat</b> ('98-On)                   | 57mm        | 3            | C           | 5x112       |
| <b>Phaeton</b> ('04-'07)                 | 57mm        | 3            | C           | 5x112       |
| <b>Quantum</b> ('84-'89)                 | Cone        | 1            | C           | 4x100       |
| <b>Rabbit</b> ('75-'84)                  | 57mm        | 1            | C           | 4x100       |
| <b>Rabbit</b> ('06-'09)                  | 57mm        | 3            | C           | 5x112       |
| <b>Routan</b> ('09-On)                   | 71.5mm      | 2            | C           | 5x5"        |
| <b>Scirocco</b> (To-'89)                 | 57mm        | 1            | C           | 4x100       |
| <b>Vanagon</b> ('81-'91)                 | Cone        | 3            | C           | 5x112       |
| <b>Tiguan</b> ('09-On)                   | 57mm        | 3            | C           | 5x112       |
| <b>Touareg</b> ('04-On)                  | 71.5mm      | 3            | C           | 5x130       |
| <b>VOLVO</b>                             |             |              |             |             |
| <b>200 Series</b> ('89-'93)              | 65mm        | 3            | A           | 5x4.25"     |
| <b>700 Series</b> ('84-'92)              | 65mm        | 3            | A           | 5x4.25"     |
| <b>850</b> (To-'93)                      | 65mm        | 1            | A           | 4x4.25"     |
| <b>850</b> ('94-'98)                     | 65mm        | 3            | A           | 5x4.25"     |
| <b>900 Series</b> ('91-'97)              | 65mm        | 3            | A           | 5x4.25"     |
| <b>C30</b> ('08-On)                      | 63.3mm      | 3            | A           | 5x4.25"     |
| <b>C70</b> ('98-'03)                     | 65mm        | 3            | A           | 5x4.25"     |
| <b>C70</b> ('06-On)                      | 63.3mm      | 3            | A           | 5x4.25"     |
| <b>S40</b> ('00-'04)                     | 67mm        | 1            | A           | 4x4.5"      |
| <b>S40</b> ('05-On)                      | 63.3mm      | 3            | A           | 5x4.25"     |

|                               | OEM Collet™ | CenTor Plate | CenTor Stud | Bolt Circle |
|-------------------------------|-------------|--------------|-------------|-------------|
| <b>VOLVO</b> <i>Continued</i> |             |              |             |             |
| <b>S60</b> ('01-On)           | 65mm        | 3            | A           | 5x4.25"     |
| <b>S70</b> ('98-'05)          | 65mm        | 3            | A           | 5x4.25"     |
| <b>S80</b> ('99-'06)          | 65mm        | 3            | A           | 5x4.25"     |
| <b>S80</b> ('07-On)           | 63.3mm      | 3            | A           | 5x4.25"     |
| <b>S90</b> ('97-'98)          | 65mm        | 3            | A           | 5x4.25"     |
| <b>V40</b> ('00-'03)          | 67mm        | 1            | A           | 4x4.5"      |
| <b>V50</b> ('05-On)           | 63.3mm      | 3            | A           | 5x4.25"     |
| <b>V70</b> ('98-'07)          | 65mm        | 3            | A           | 5x4.25"     |
| <b>V90</b> ('97-'99)          | 65mm        | 3            | A           | 5x4.25"     |
| <b>XC60</b> ('09-On)          | 63.3mm      | 3            | A           | 5x4.25"     |
| <b>XC70</b> ('05-On)          | 65mm        | 3            | A           | 5x4.25"     |
| <b>XC90</b> ('03-On)          | 67mm        | 3            | A           | 5x4.25"     |



### Cars / PKW / Voitures

1. Spring - Feder - Ressort
2. Cone - Konus - Cône
3. Wheel - Rad - Roue
4. CenTor™ Plate Adaptor - CenTor™ Typenspannplatte - Les bride de poussée CenTor™
5. Speednut™ - Spann Mutter - Ecrou de serrage



### Light Truck / LLKW / Camion léger

1. Spring - Feder - Ressort
2. Spacer Disk - Distanzscheibe - Disque d'entretoise
3. Cone - Konus - Cône
4. Wheel - Rad - Roue
5. CenTor™ Plate Adaptor - CenTor™ Typenspannplatte - Les bride de poussée CenTor™
6. Speednut™ - Spann Mutter - Ecrou de serrage