



NEW



CEMB ER

Er Go Fast Line 100

Wheel balancing and diagnostic center

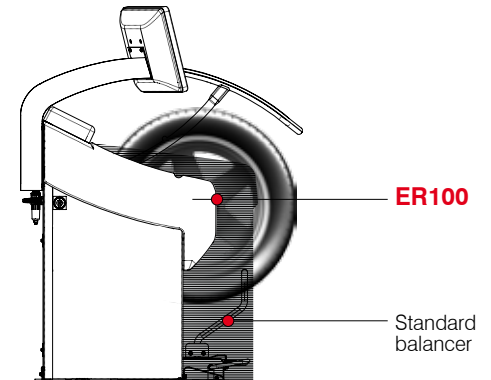
In 6 seconds:

- WHEEL BALANCING
- RIM ECCENTRICITY
- TYRE ECCENTRICITY
- DIRECT MATCHING
- TREAD DEPTH
- TYRE SET



LASER MEASUREMENT
No operation required

WBA WHEEL BEST ACCESS



Wider space
to work inside the rim

Zero weight LIFT

ZERO GRAVITY EFFECT:

Perfect centering
Effortless mounting and dismounting



Ergonomic tools positioning
save floor to floor time



Pneumatic locking:
save time, increase precision



Led light:
illuminates working space

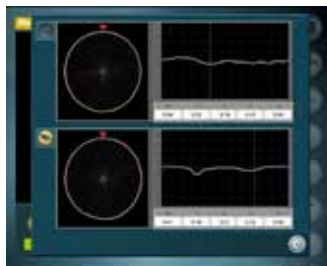


Automatic brake and weight
positioning with laser spot

TOUCH SCREEN



Touch screen & sound tones



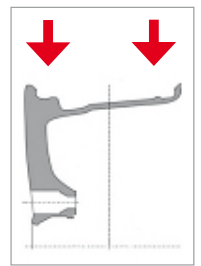
Tyre, rim, wheel eccentricity
and conicity program



Tyre set:
best wheel
positioning
on vehicle



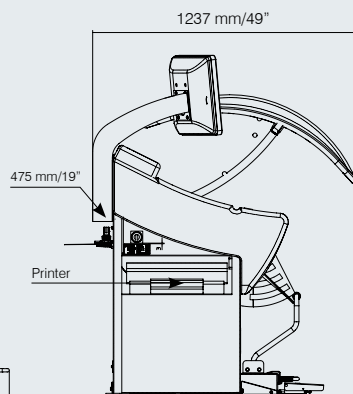
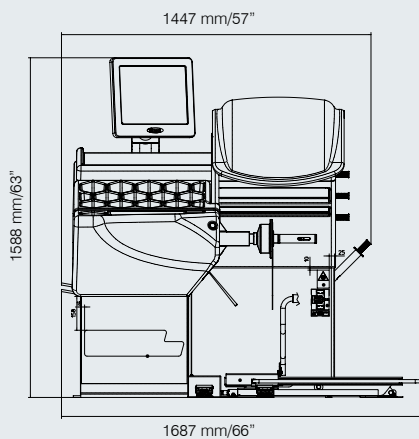
Tread depth



Full diagnosis
on rim alone:
two planes
eccentricity
measurement

PROVIDED WITH: BPC best possible correction - EWW Effective wheel weight - PC Windows system - Printer - Customized print out

TECHNICAL DATA



Standard power supply	115-230V single phase 50/60 Hz
Absorbed power	0.25 Kw
Spindle shaft	Ø40mm
Balancing speed	< 100 rpm
Balancing accuracy	±0.3gr
Cycle time for average wheel	<5 seconds with wheel 15Kg (5¼"x14")

*Optional DC motor :
automatically driven wheel positioning*

Wheel diameter	1016mm (40")
Max wheel weight	75Kg / 165 lbs
Gross weight ER100	220Kg / 485 lbs
Machine packaging sizes	1510x1000x1700 mm / 59"x39"x67"
Lift packaging sizes	1100x980x600 mm* / 43"x39"x24"



CEMB

BALANCING MACHINES

