

Worth®

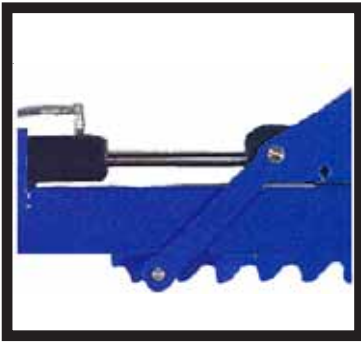
4-Post Lifts

American Made Since 1947



12000 - 18000 - 25000 - 30000

“The Mark Of Dependability Since 1947”



Single-Point Safety Release is standard on all Worth 4-post lifts. This is a very convenient feature to keep technicians from having to walk to each post to release the safeties.



Automatic Back-Up Safeties are standard on all Worth 4-post lifts. They are located in each post and automatically engage at any height for added protection.



Heavy I-Beam Runways are standard on all 4-post lifts, and on 12000 and 18000 models they are available in 14" or 22" wide.

**12000 - 12000E - 12000EWT - 18000E
18000EWT**



12000A - 12000AX - 18000A - 18000AX



Super Strong "Cantilever Style Open Front"
Jack rolls over crossrail support



" AMERICAN MADE "

25000 - 30000



26 Gallon Oil Drain Pan is optional on all 4-post lifts. It is ideal for performing all types of fluid services including transmission, oil, differential or cooling systems.



Rolling Air Jacking Beams are available in 5000, 8000, 15000, and 20000lb. capacities and are ideal for tire rotations, and brake work.

Additional Features:

- * “All Chain” design (No cables to adjust or replace).
- * BOTH runways are completely adjustable to accommodate narrow vehicles as well as wider trucks.
- * Lifts are powered strictly by electrical hydraulic power. (No air is needed to operate the lift).

Additional Options:

For 12000-18000:

- * “Space Saver” Model For Extra Narrow Bays
- * 50 HZ Motor
- * Drive-Thru Runways
- * 22” Wide Runways
- * Jack Rails
- * Rolling Bridge(for use with bottle jacks)
- * Alignment Model

For 25000-30000:

- * Custom Wheelbase up to 30’
- * 50 HZ Motor
- * Drive-Thru Runways
- * Custom Widths
- * Rolling Bridge(for use with bottle jacks)
- * Alignment Model



3HP Power Units are standard on all Worth 4-post lifts. They are available in Single or Three Phase power.

“ SINCE 1947 ”

Lift Specifications

	12000	12000E	12000EWT	18000E	18000EWT	25000	30000
Overall Width (A)	11'4"	11'4"	11'4"	11'4"	11'4"	11'10"	11'10"
Overall Length (B)	17'10"	19'6"	19'6"	19'6"	19'6"	25'2"	25'2"
Rise(Including Runway)	78"	78"	78"	78"	78"	70"	70"
Wheelbase	172"	192"	192"	192"	192"	240"	240"
Ramp Width(C)	14"	14"	22"	14"	22"	24"	24"
Clearance Between Post (D)	120"	120"	120"	120"	120"	120"	120"
Lifting Capacity (lbs.)	12000	12000	12000	18000	18000	25000	30000
Motor	3HP	3HP	3HP	3HP	3HP	3HP	3HP
Voltage(Single-Phase) 60HZ	220	220	220	220	220	220	220
Shipping Weight (lbs.)	2680	2800	2900	3500	3600	5900	6600
Jack Ready	NO	NO	YES	NO	YES	YES	YES

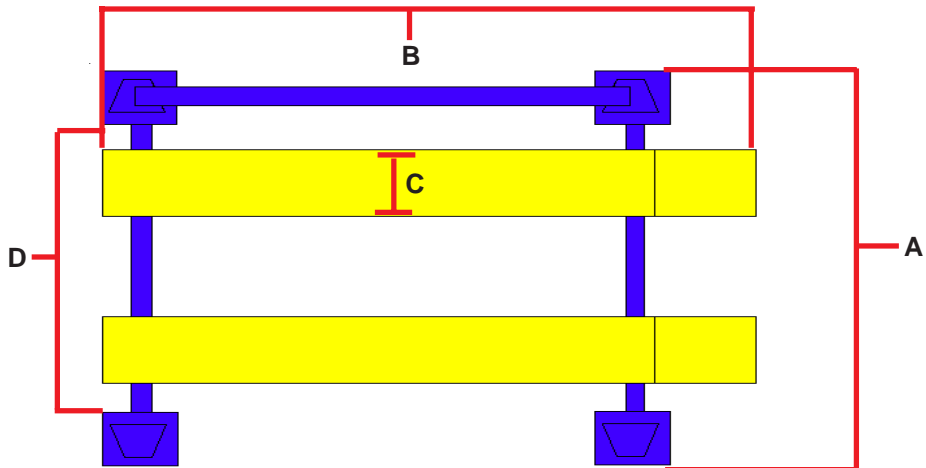
Alignment Lift Specifications

	12000A	12000AX *	18000A	18000AX*	25000A*	30000A*
Overall Width (A)	11'4"	11'4"	11'4"	11'4"	11'10"	11'10"
Overall Length (B)	21'8"	22'11"	21'8"	22'11"	25'2"	25'2"
Rise(Including Runway)	78"	78"	78"	78"	70"	70"
Wheelbase 4-Wheel Align	83"-143"	83"-158"	83"-143"	83"-158"	N/A	N/A
Wheelbase 2-Wheel Align	187"	202"	187"	202"	235"	235"
Ramp Width(C)	22"	22"	22"	22"	24"	24"
Clearance Between Post (D)	120"	120"	120"	120"	120"	120"
Lifting Capacity (lbs.)	12000	12000	18000	18000	25000	30000
Motor	3HP	3HP	3HP	3HP	3HP	3HP
Voltage(Single-Phase) 60HZ	220	220	220	220	220	220
Shipping Weight (lbs.)	3400	3500	3800	3900	6140	6840
Jack Ready	Yes	Yes	Yes	Yes	Yes	Yes

* Note*

* The Models 12000AX and 18000AX have 2 turntable cutouts and 1 set of filler plates

* The Models 25000A and 30000A do not contain rear slip plates. They have turntable cutouts and single position leveling only.



*Prices and specifications are subject to change without notice.

Distributed By: