

Worth[®]

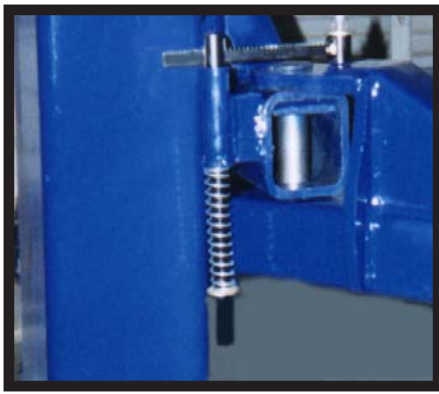
2-Post Lifts



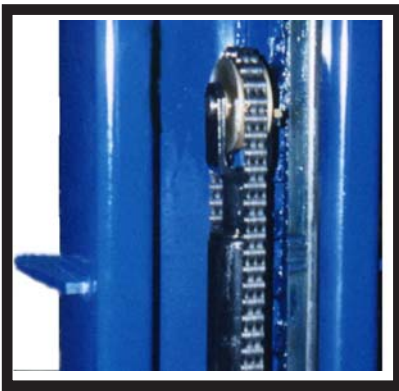
WITH “EXTENDED LIFE” FEATURES

9000 - 10000 - 12000 - 15000

“The Mark Of Dependability Since 1947”



Automatic Arm Restraints lock as soon as the lift begins upward to help prevent load shifting while the vehicle travels up and down. Once vehicle is completely lowered arms release automatically.

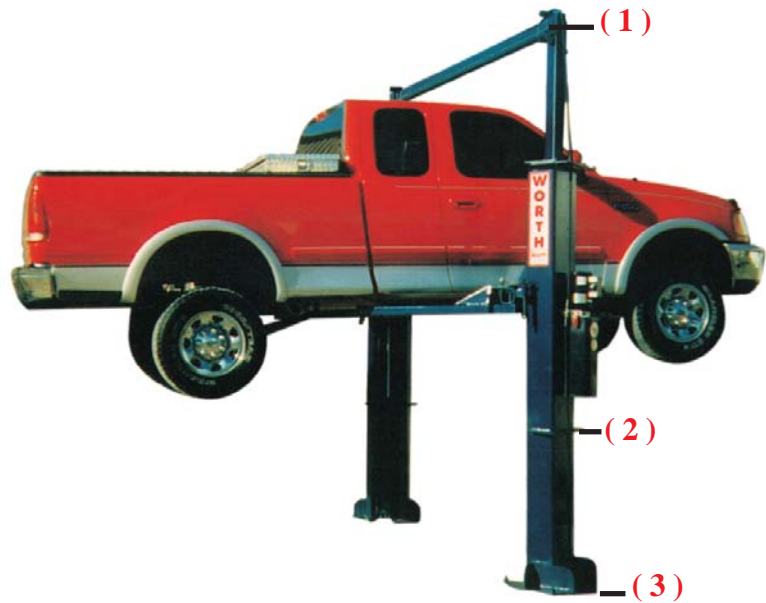


Dual Chain-Over Hydraulic cylinders provide superior lifting power and lastability. On average they last twice as long as direct pull or push type cylinders, since the seals only have to travel half as far each time the lift is used.



Truck Adapters available in slide-over and 8" screw type. These adapters are usually required when servicing light trucks, vans, and sport-utility vehicles.

9000ACF - 10000ACF

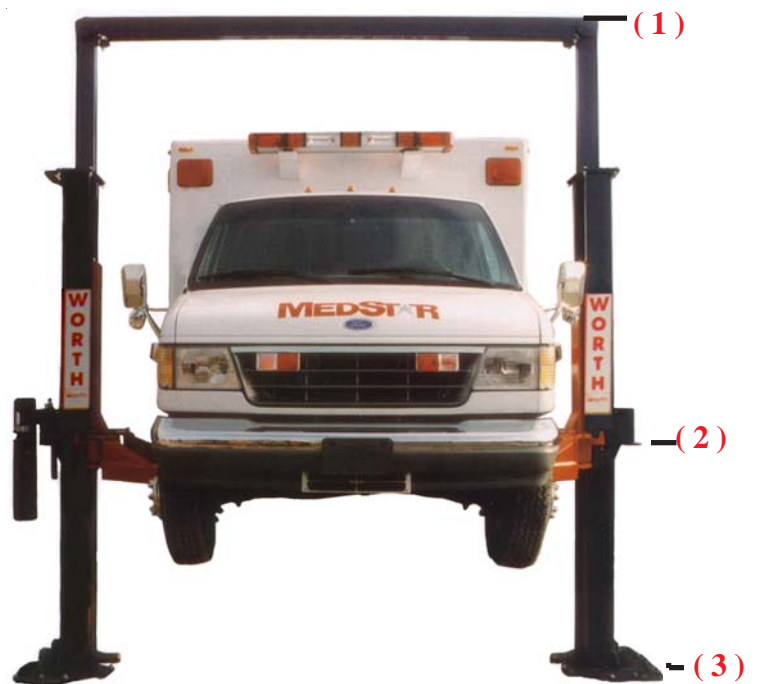


(Asymmetric)

WORTH "EXTENDED LIFE" FEATURES

- (1) Structural Tube Overhead** - All Worth Clear Floor models feature 4 sided structural tube overhead bars, not 3 sided sheet metal or channel.
- (2) Center Bands** - All Worth 2 Post lifts feature center bands (reinforcement flanges) to eliminate premature wear and opening of columns.

12000CF - 15000CF



" AMERICAN MADE "

9000FP - 10000FP



(3) Oversized Base Plates And Gussets - All Worth lifts feature oversized base plates with oversized gussets. Base plates through the model 12000CF are based on a 24"x24"x5/8" minimum size to prevent concrete breakout and offer increased stability.

The 15000CF features an even larger base plate, which is based on a 32"x24"x1" size.

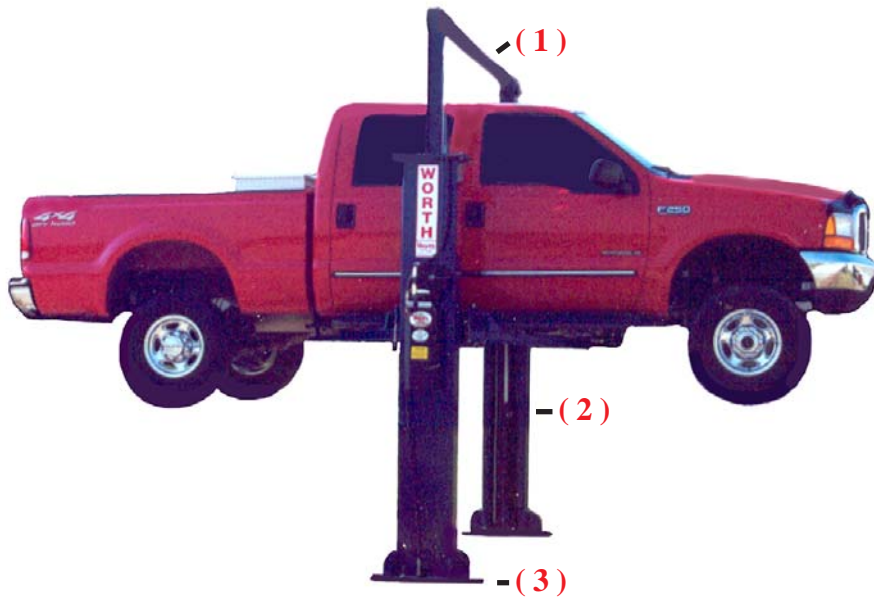


Dual Back-Up Safety Locks located in each post, and lock every 2 inches.



3 HP Power Unit comes standard on all two post lifts. This unit is as much as 50% stronger than our competition.

9000CF - 10000CF



Solid Steel Equalizer Pulleys with pressed-in bronze bushings are built to last. Our competitors use plastic pulleys.

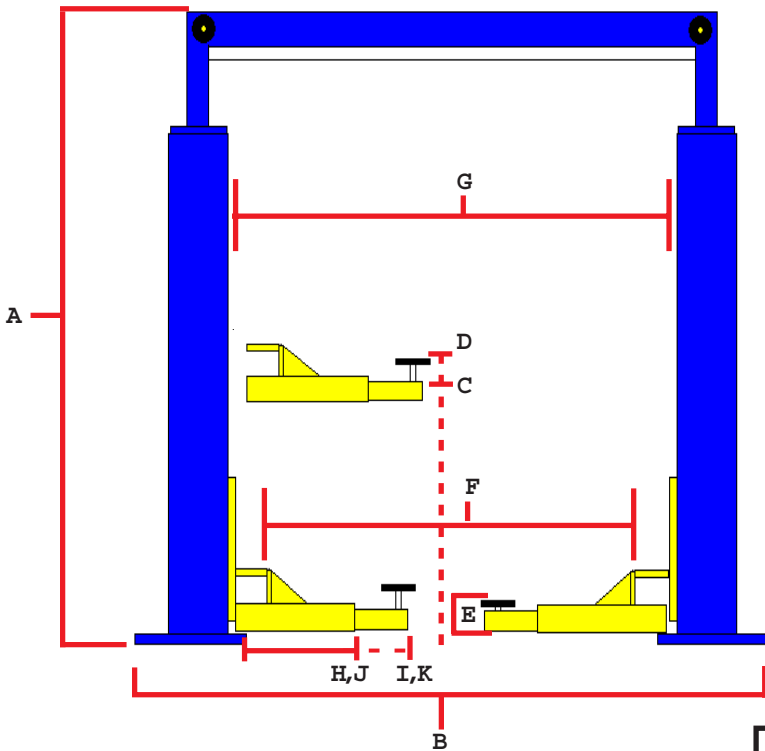
" SINCE 1947 "

Lift Specifications

9000FP 10000FP 9000ACF 10000ACF 9000CF 10000CF 12000CF 15000CF

Overall Height (A)	108"	108"	151"	151"	150"	150"	162"	193"
Overall Width (B)	136"	136"	144"	144"	140"	140"	150"	174"
Rise(Standard Lifting Pad) (C)	74"	74"	74"	74"	74"	74"	74"	79"
Rise(Max with Tk. Adapter)(D)	78"	78"	78"	78"	78"	78"	78"	87"
Minimum Pad Clearance (E)	4"	4"	4"	4"	4"	4"	5"	5"
Drive Thru Clearance (F)	94"	94"	90"	90"	94"	94"	106"	127"
Clearance Between Post (G)	111"	111"	105"	105"	111"	111"	123"	138"
Front Arm Reach(Minimum) (H)	32"	32"	28 1/2"	28 1/2"	32"	32"	32"	47"
Front Arm Reach(Maximum) (I)	45"	45"	40 1/2"	40 1/2"	45"	45"	61"	72"
Rear Arm Reach(Minimum) (J)	32"	32"	41"	41"	32"	32"	32"	47"
Rear Arm Reach(Maximum) (K)	45"	45"	54"	54"	45"	45"	61"	72"
Lifting Capacity (lbs.)	9000	10000	9000	10000	9000	10000	12000	15000
Maximum Load Per Arm	2250	2500	2250	2500	2250	2500	3000	3750
Motor	3HP	3HP	3HP	3HP	3HP	3HP	3HP	3HP
Voltage(Single-Phase) 60HZ	230	230	230	230	230	230	230	230
Speed of Rise	45	45	45	45	45	45	55	85
Shipping Weight (lbs.)	2080	2120	2160	2200	2160	2200	2840	3400

*Prices and specifications are subject to change without notice.



Additional 2-Post Options:

- * Custom Heights
- * Custom Widths
- * 3-Phase Motor
- * 50HZ Motor

Distributed By: